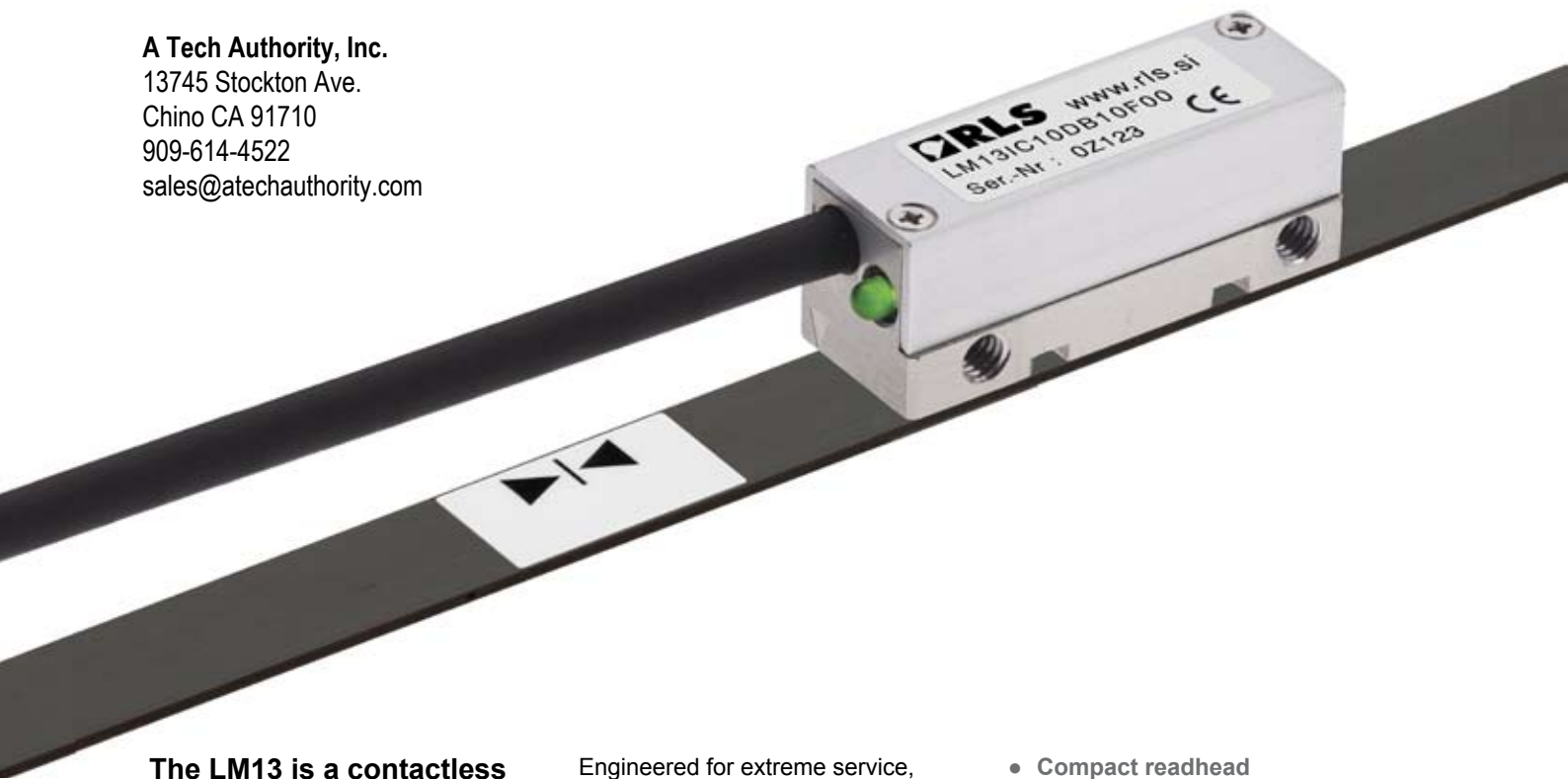


# LM13 Linear magnetic encoder system

## SALES & SERVICE:

**A Tech Authority, Inc.**  
13745 Stockton Ave.  
Chino CA 91710  
909-614-4522  
sales@atechauthority.com



**The LM13 is a contactless high-speed linear magnetic system designed for use in harsh environments.**

**The system consists of a compact readhead and a separate self-adhesive magnetic scale.**

Simple to install, the LM13 features an integral set-up LED on the readhead, wide installation tolerances and an applicator tool for the adhesive-backed magnetic scale. A bidirectional reference is provided that can be actuated either by a preset mark integrated within the scale or by adding a reference sticker on top of the scale with the help of a self-aligning installation tool.

The encoders come with a range of digital resolutions including 1  $\mu\text{m}$ , 2  $\mu\text{m}$ , 4  $\mu\text{m}$ , 5  $\mu\text{m}$ , 10  $\mu\text{m}$ , 20  $\mu\text{m}$ , 25  $\mu\text{m}$ , 50  $\mu\text{m}$ , 125  $\mu\text{m}$  and 250  $\mu\text{m}$ . The LM13 is capable of velocities up to 25 m/s; even at 1  $\mu\text{m}$  resolution it is capable of 4 m/s.

Engineered for extreme service, the solid-state LM13 linear encoder operates from -10 °C to +80 °C, sealing to IP68 and is highly resistant to shock, vibrations and pressure. The robust magnetic scale is also resistant to a range of chemicals commonly found in industry.

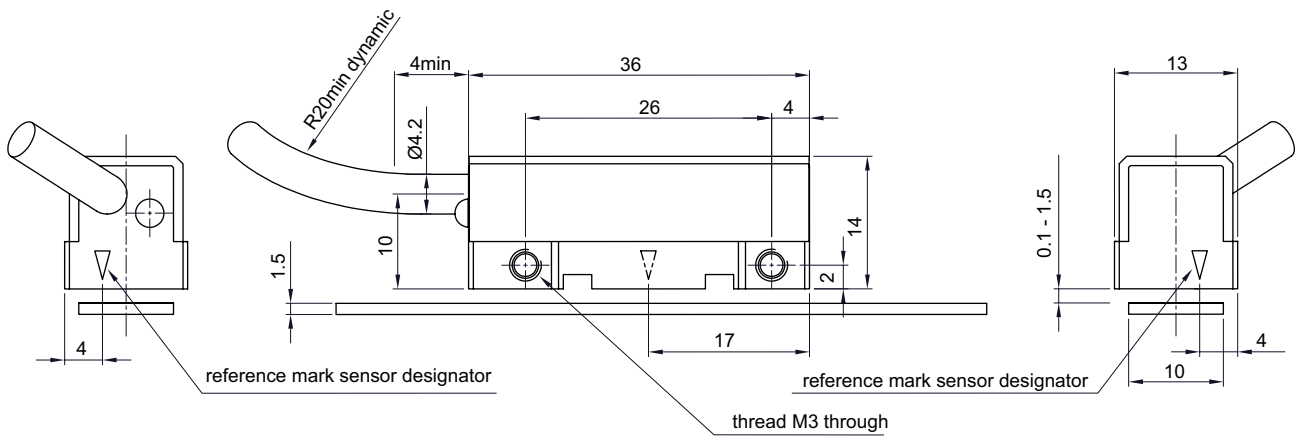
The non-contact, frictionless design eliminates wear while reducing hysteresis giving precision at high speeds and accelerations.

The LM13 linear encoder system brings reliable solutions to tough, hard-working applications including woodworking, stone-cutting, sawing, metalworking, textiles, printing, packaging, plastics processing, automation and assembly systems, laser/flame/water-jet cutting, electronic assembly equipment etc.

- Compact readhead
- Resolutions from 250  $\mu\text{m}$  to 1  $\mu\text{m}$
- Stick-on reference mark
- High speed operation
- Excellent dirt immunity
- Integral set-up LED
- Axis lengths of up to 100 m
- High reliability from proven non-contact sensing technology
- Industry standard digital outputs
- Repeatability inside resolution

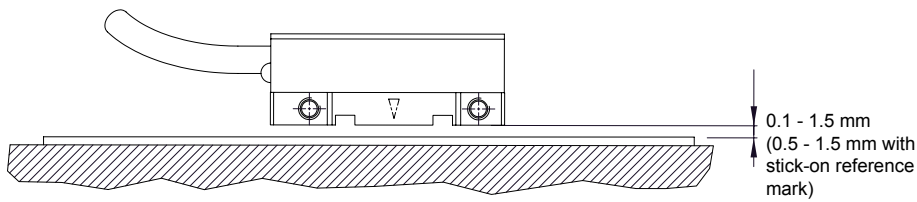
### LM13 Dimensions

Dimensions and tolerances in mm.

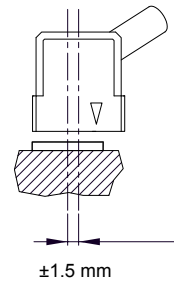


### LM13 Installation tolerances

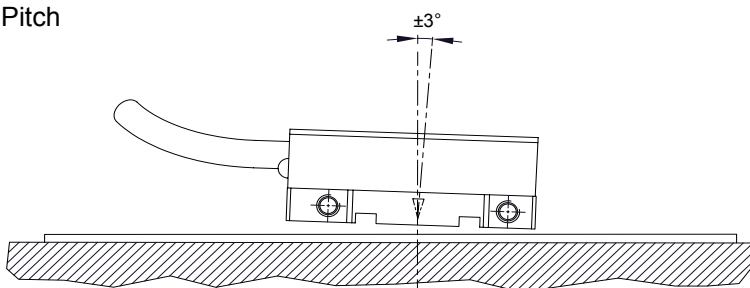
Ride height



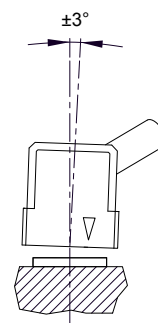
Lateral offset



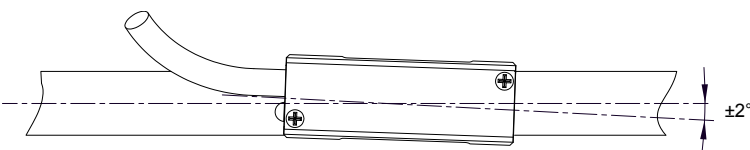
Pitch



Roll



Yaw



## LM13 Technical specifications

System data						
Maximum measuring length	50 m (100 m special order)					
Pole length	2 mm					
Available resolutions for digital outputs	1 µm, 2 µm, 4 µm, 5 µm, 10 µm, 20 µm, 25 µm, 50 µm, 125 µm and 250 µm					
Maximum speed for digital outputs	Resolution (µm)	Maximum velocity (m/s)				
	1	4.16	1.04	0.52	0.26	0.13
	2	8.32	2.08	1.04	0.52	0.25
	4	16.64	4.16	2.08	0.99	0.51
	5	20.80	5.20	2.59	1.30	0.63
	10	25.00	10.40	5.20	2.59	1.27
	20	25.00	10.40	5.20	2.59	1.27
	25	25.00	6.50	3.25	1.62	0.79
	50	25.00	6.50	3.25	1.62	0.79
	125	25.00	25.00	25.00	25.00	15.14
	250	25.00	25.00	25.00	25.00	25.00
		Edge separation (µs)	0.12	0.50	1	2
	Count frequency (kHz)	8333	2000	1000	500	250
Sensor/magnetic scale gap	With periodic or machined reference: 0.1 to 1.5 mm With stick-on reference: 0.5 to 1.5 mm					
Error band	±40 µm at 20 °C					
Linear expansion coefficient	$(11 \pm 1) \times 10^{-6}/K$					
Repeatability	Better than unit of resolution					
Sub divisional error	±3.5 µm for < 0.7 mm ride height (to ensure SDE remains under ±3.5 µm order option 01 that provides alarm and red LED at 0.7 mm ride height) ±7.5 µm for 1 mm ride height ±15 µm for 1.5 mm ride height					
Electrical data						
Power supply	4.6 V to 7 V - reverse polarity protected *					
Power consumption (without any load)	< 30 mA for digital output type					
Voltage drop over cable	$\Delta U = 21.4$ mV/m - without load					
Output signals	Digital - Differential RS422, short circuit protected					
Cable	PUR high flexible cable, drag-chain compatible, double-shielded 8 × 0.05 mm <sup>2</sup> ; durability: 20 million cycles at 20 mm bend radius					
Environmental conditions						
Temperature	Operating	-10 °C to +80 °C (cable under non-dynamic conditions: -20 °C to +85 °C)				
	Storage	-40 °C to +85 °C				
Environmental sealing	IP68 (according to IEC 60529)					
EMC Immunity	IEC 61000-6-2 (particularly: ESD: IEC 61000-4-2; EM fields: IEC 61000-4-3; Burst: IEC 61000-4-4; Surge: IEC 61000-4-5; Conducted disturbances: IEC 61000-4-6; Power frequency magnet fields: IEC 61000-4-8; Pulse magnetic fields: IEC 61000-4-9)					
EMC Interference	IEC 61000-6-4 (for industrial, scientific and medical equipment: IEC 55011)					
Vibrations (55 Hz to 2000 Hz)	300 m/s <sup>2</sup> (IEC 60068-2-6)					
Shocks (11 ms)	300 m/s <sup>2</sup> (IEC 60068-2-27)					

\* On readhead with 1 m cable; for longer cables please consider voltage drop on cable (21.4 mV/m without load, 62 mV/m with 120 Ω load per channel pair)

## Digital output signals

Square wave differential line driver to EIA RS422

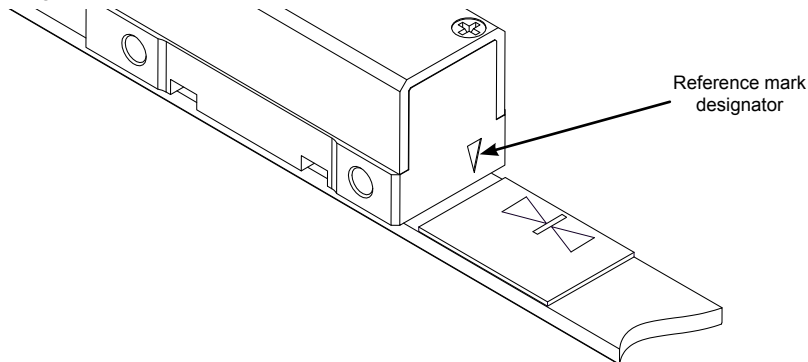
<b>Power supply voltage</b>	4.6 V to 7 V * Reverse polarity protection
<b>Incremental signals</b>	2 square-wave signals A, B and their inverted signals A-, B-
<b>Reference mark signal</b>	1 or more square-wave pulse Z and its inverted pulse Z-
<b>Signal level</b>	Differential line driver to EIA standard RS422: $U_H \geq 2.5 \text{ V}$ at $-I_H = 20 \text{ mA}$ $U_L \leq 0.5 \text{ V}$ at $I_L = 20 \text{ mA}$
<b>Permissible load</b>	$Z_0 \geq 100 \Omega$ between associated outputs $I_L \leq 20 \text{ mA}$ max. load per output Capacitive load $\leq 1000 \text{ pF}$ Outputs are protected against short circuit to 0 V and to +5 V
<b>Alarm</b>	High impedance on output lines A, B, A-, B-
<b>Switching time (10 to 90 %)</b>	$t_+, t_- < 30 \text{ ns}$ (with 1 m cable and recommended input circuit)

\* On readhead with 1 m cable; for longer cables please consider voltage drop on cable (21.4 mV/m without load, 62 mV/m with 120  $\Omega$  load per channel pair)

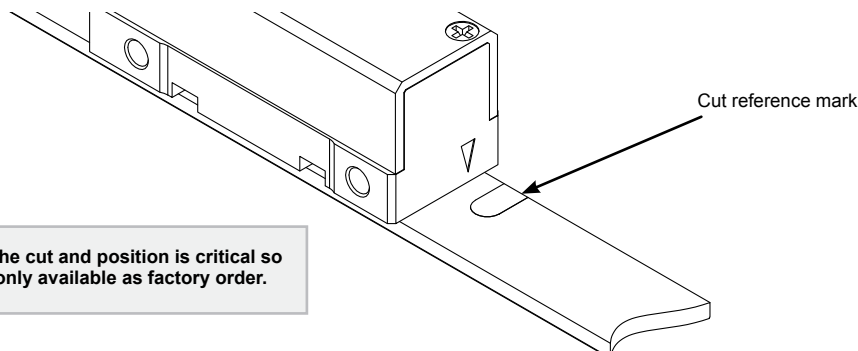
## Reference mark

The repeatable bi-directional reference signal can be provided in 3 ways.

- Stick-on reference mark.** The LM13 readhead should be ordered with the reference mark option. After installation of the scale a reference mark sticker can be applied to the scale at the required position using the reference mark applicator tool. Ensure that the reference sticker is oriented to the corresponding side of the readhead that has the reference mark designator marked.



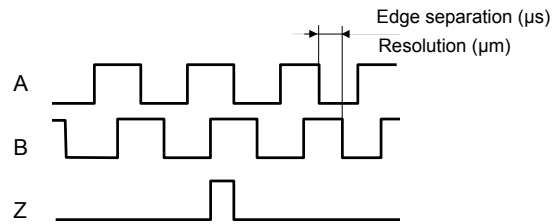
- Selected at point of order.** The LM13 readhead should be ordered with the reference mark option. If required the cover foil can be installed over the cut reference mark.



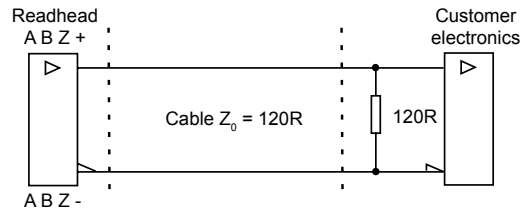
**NOTE:** The shape of the cut and position is critical so this option is only available as factory order.

## Timing diagram

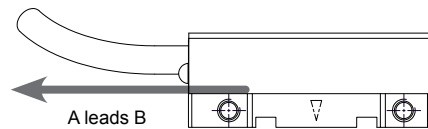
Complementary signals not shown



## Recommended signal termination

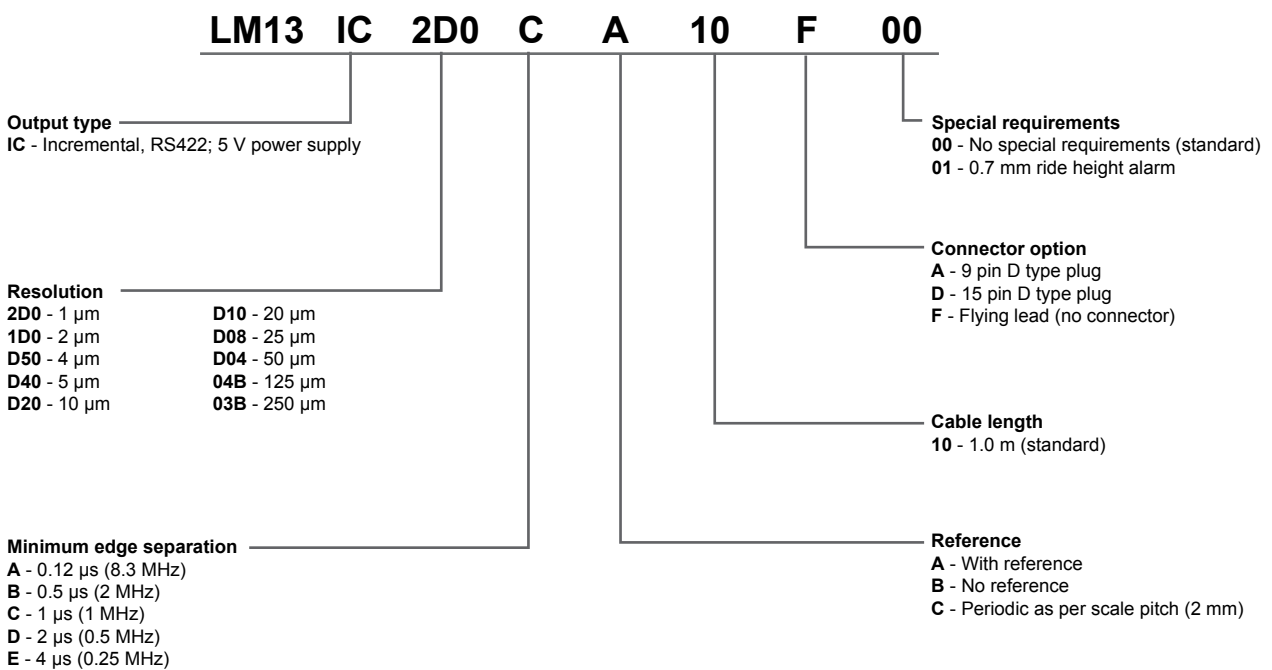


## Positive direction



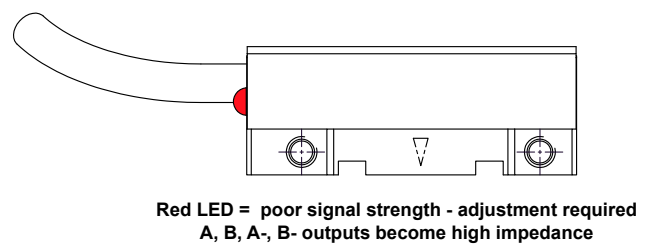
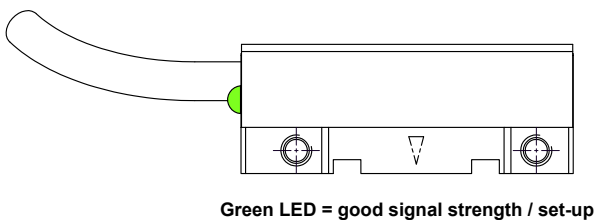
- Every 2 mm.** The LM13 readhead should be ordered with this specific mode activated only.

## LM13 readhead part numbering

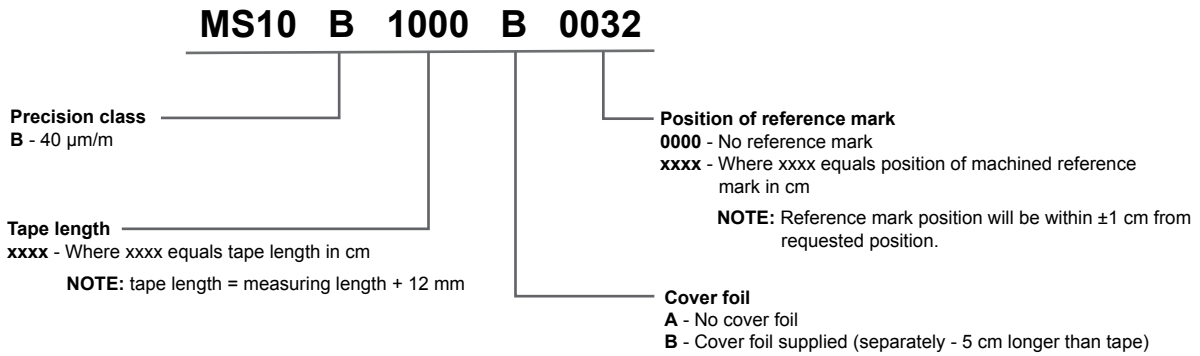
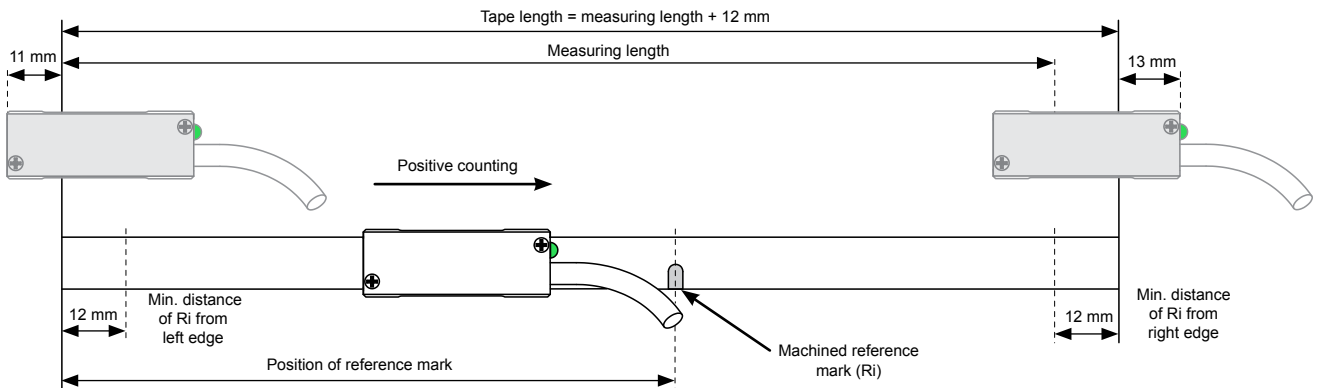


## Set-up LED

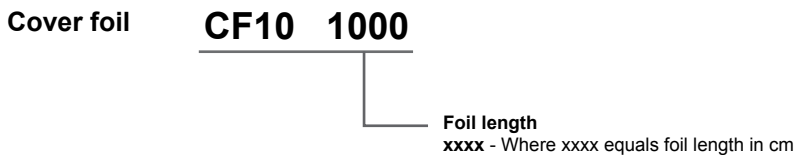
The readhead can be easily adjusted on the machine using the set-up LED indicator.



### Magnetic scale part numbering



### Accessories part numbering



- |  |                  |
|--|------------------|
| <b>Stick-on reference mark</b>                           | <b>LM10SRM00</b> |
| <b>Applicator tool for stick-on reference mark</b>       | <b>LM10ARM00</b> |
| <b>Applicator tool for magnetic scale and cover foil</b> | <b>LM13ASC00</b> |

## Head office

RLS merilna tehnika d.o.o.  
Cesta II. grupe odredov 25  
SI-1261 Ljubljana - Dobrunje  
Slovenia

T: +386 1 5272100  
F: +386 1 5272129  
E: [mail@rls.si](mailto:mail@rls.si)  
[www.rls.si](http://www.rls.si)

## SALES & SERVICE:

### A Tech Authority, Inc.

13745 Stockton Ave.  
Chino CA 91710  
909-614-4522  
[sales@atechauthority.com](mailto:sales@atechauthority.com)

## Document issues

Issue	Date	Page	Corrections made
1	17. 11. 2008	-	New document

**RENISHAW**  is our worldwide sales support partner for Magnetic Encoders.

#### Australia

T +61 3 9521 0922  
E [australia@renishaw.com](mailto:australia@renishaw.com)

#### Austria

T +43 2236 379790  
E [austria@renishaw.com](mailto:austria@renishaw.com)

#### Brazil

T +55 11 4195 2866  
E [brazil@renishaw.com](mailto:brazil@renishaw.com)

#### Canada

T +1 905 828 0104  
E [canada@renishaw.com](mailto:canada@renishaw.com)

#### The People's Republic of China

T +86 10 8448 5306  
E [beijing@renishaw.com](mailto:beijing@renishaw.com)

#### Czech Republic

T +420 5 4821 6553  
E [czech@renishaw.com](mailto:czech@renishaw.com)

#### France

T +33 1 64 61 84 84  
E [france@renishaw.com](mailto:france@renishaw.com)

#### Germany

T +49 7127 9810  
E [germany@renishaw.com](mailto:germany@renishaw.com)

#### Hong Kong

T +852 2753 0638  
E [hongkong@renishaw.com](mailto:hongkong@renishaw.com)

#### Hungary

T +36 23 502 183  
E [hungary@renishaw.com](mailto:hungary@renishaw.com)

#### India

T +91 20 6674 6751  
E [india@renishaw.com](mailto:india@renishaw.com)

#### Israel

T +972 4 953 6595  
E [israel@renishaw.com](mailto:israel@renishaw.com)

#### Italy

T +39 011 966 10 52  
E [italy@renishaw.com](mailto:italy@renishaw.com)

#### Japan

T +81 3 5366 5316  
E [japan@renishaw.com](mailto:japan@renishaw.com)

#### The Netherlands

T +31 76 543 11 00  
E [benelux@renishaw.com](mailto:benelux@renishaw.com)

#### Poland

T +48 22 577 11 80  
E [poland@renishaw.com](mailto:poland@renishaw.com)

#### Russia

T +7 495 231 1677  
E [russia@renishaw.com](mailto:russia@renishaw.com)

#### Singapore

T +65 6897 5466  
E [singapore@renishaw.com](mailto:singapore@renishaw.com)

#### Slovenia

T +386 1 52 72 100  
E [mail@rls.si](mailto:mail@rls.si)

#### South Korea

T +82 2 2108 2830  
E [southkorea@renishaw.com](mailto:southkorea@renishaw.com)

#### Spain

T +34 93 663 34 20  
E [spain@renishaw.com](mailto:spain@renishaw.com)

#### Sweden

T +46 8 584 90 880  
E [sweden@renishaw.com](mailto:sweden@renishaw.com)

#### Switzerland

T +41 55 415 50 60  
E [switzerland@renishaw.com](mailto:switzerland@renishaw.com)

#### Taiwan

T +886 4 2473 3177  
E [taiwan@renishaw.com](mailto:taiwan@renishaw.com)

#### UK

T +44 1453 524524  
E [uk@renishaw.com](mailto:uk@renishaw.com)

#### USA

T +1 847 286 9953  
E [usa@renishaw.com](mailto:usa@renishaw.com)

**For all other countries  
Please contact RLS' head  
office**

T +386 1 52 72 100  
E [mail@rls.si](mailto:mail@rls.si)