

LMF 9310

Incremental multi-section linear encoder

- Sturdy design
- Measuring lengths up to 18m
- 5µm measuring step

SALES & SERVICE:

A Tech Authority, Inc.

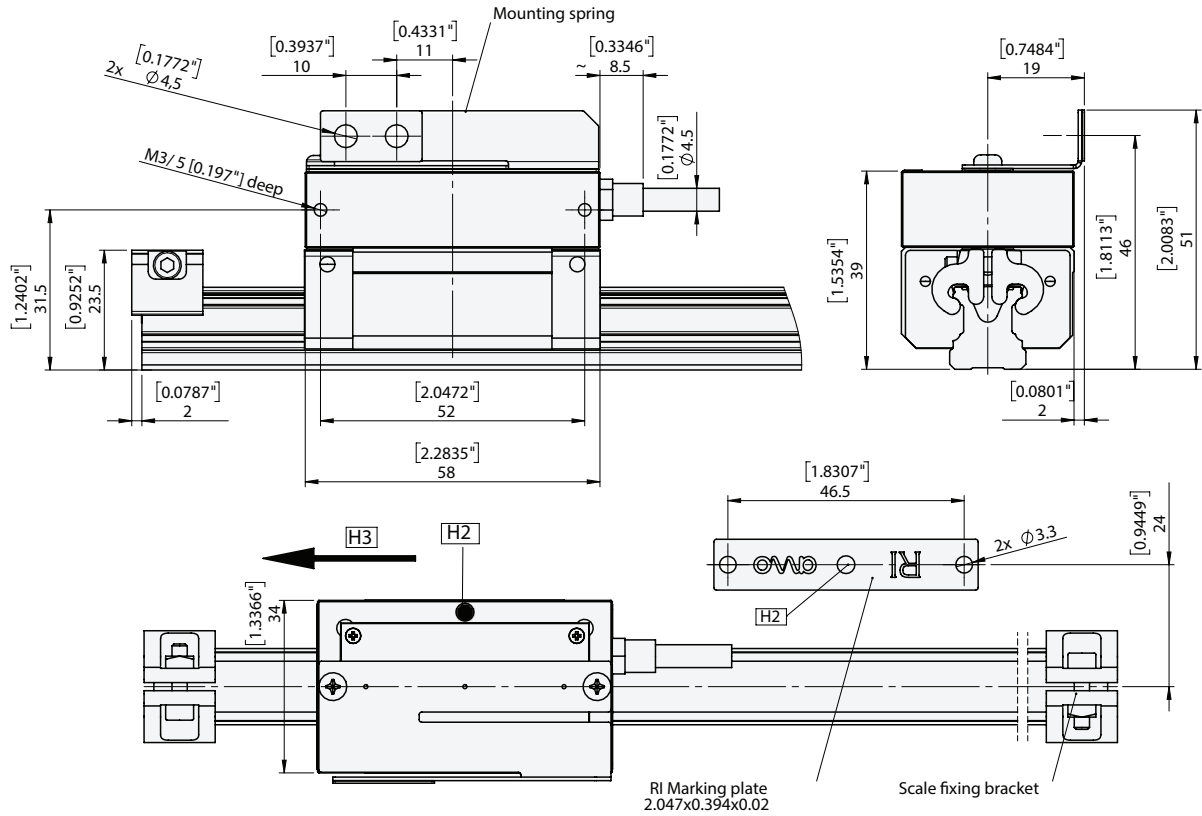
13745 Stockton Ave.

Chino CA 91710

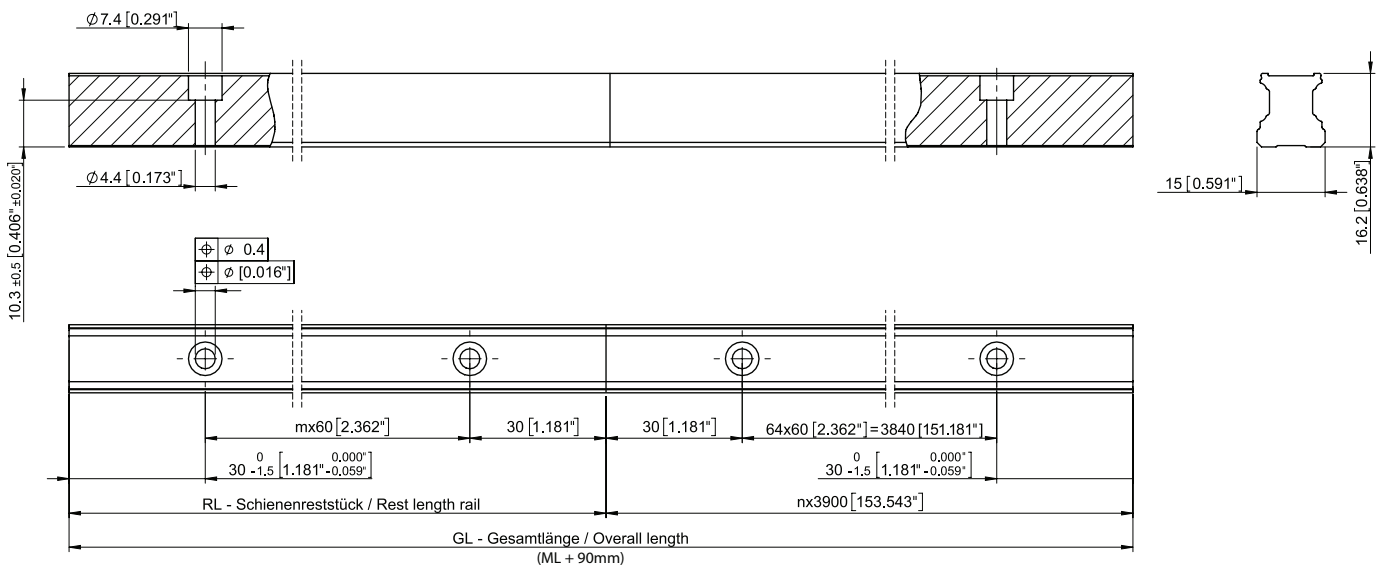
909-614-4522

sales@atechauthority.com

Assembly drawing of reader head



Multiple section measuring rail





LMF 9310	
Measuring standard	Steel rail with inductive incremental scanning
Accuracy grade	±20µm
Measuring length ML*	3,150mm to 18,270mm in 180mm increments
Incremental signals	□□TTL
Grating period	1000µm
Integrated interpolation	50-fold
Signal period	5µm
Measuring step	5µm
Reference marks	Distance-coded
Voltage supply Without load	5V DC ±0.1 V/< 260mA
Electronic connection	PUR, with a M23, 12-pin male coupling
Cable length	0.3m fixed with a 2m - 12m extensions available
Traversing speed	3 m/s
Required moving force	≤ 5N
Operating conditions	0°C to 80°C
Conditions for storage	-20°C to 100°C
Protection EN 60529	IP67 when mounted as per Mounting Instructions
Mass	Rail 1.4 kg/m and head 0.2 kg

* Please indicate when ordering

SALES & SERVICE:
A Tech Authority, Inc.
 13745 Stockton Ave.
 Chino CA 91710
 909-614-4522
 sales@atechauthority.com