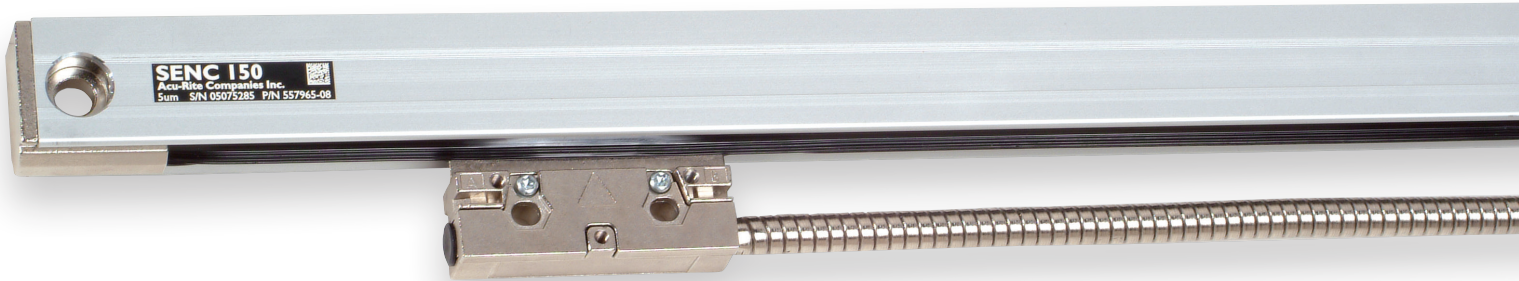


ACU-RITE®

SENC 150 Precision Glass Scale

SALES & SERVICE:

A Tech Authority, Inc.
13745 Stockton Ave.
Chino CA 91710
909-614-4522
sales@atechauthority.com



The SENC 150 Precision Glass Scale Linear Encoder incorporates the latest innovation in roller bearing technology for reduced backlash and greater scale travel life. This scale also features a highly integrated scanning sensor that provides even greater contamination resistance. The SENC 150 Precision Glass Scale is designed to satisfy a wide range of application needs including but not limited to, EDMs, grinders, lathes, milling machines and inspection equipment. An SENC 150 Precision Glass Scale withstands elements of contamination found in even the harshest environment. All ACU-RITE® Precision Glass Scales incorporate our longstanding tradition of quality, reliability, durability and dependability at an affordable price.

Product Features

Travel Lengths of 2" (50mm) -120"
(3,050mm)

Multiple Resolutions with Exceptional Accuracy 0.5µm (.00002"), 1µm (.00004"), 5µm (.0002")

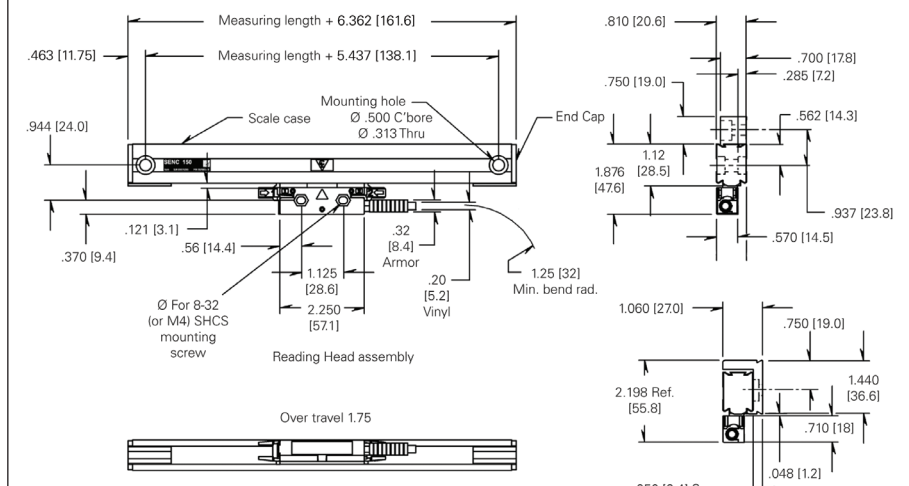
Armored Cable

Flexible Mounting Features

Durable and Rugged Scale Case

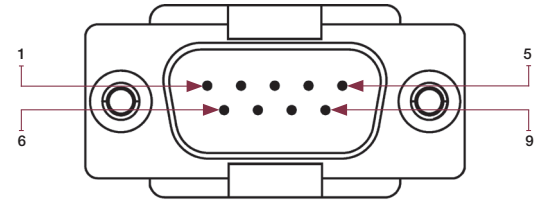
Position-Trac™ - Enables Quick, Easy Workpiece Zero-Reset After Power Loss

SENC 150 Assembly and Mounting Dimensions



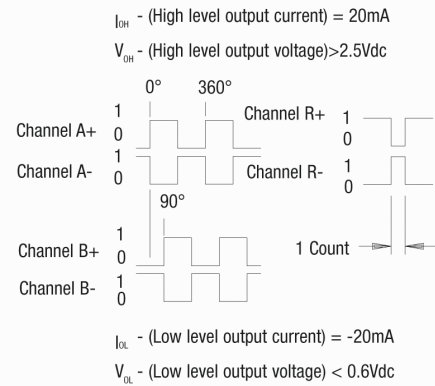
SENC 150 Technical Data

| ELECTRICAL SPECIFICATIONS | DIGITAL |
|-------------------------------------|--|
| Light Source | LED (Light-Emitting Diode) |
| Operating Voltage (VDC) | 5.1 ± 0.1 |
| Operating Current (Max.) | 0.5µm, 1µm 220mA 5µm 180 mA |
| Output Signals Incremental | Square-Wave Voltage Signals Channels A and B, in 90° Quadrature Relationship |
| RM | One Square-Wave Signal |
| Signal Levels | TTL-Level |
| RM | TTL-Level |
| MECHANICAL SPECIFICATIONS | DIGITAL |
| Resolution | 0.5, 1, 5 µm |
| Grating Pitch | 20 µm |
| Scale Medium | Reflective from Nickel-Coated Glass |
| Accuracy (@20°C) in any 1000mm | ± 5µm/m |
| Max. Slew Speed | 40 in/sec |
| Force Required to Move Reading Head | ≤ 0.75 lbs. |
| Operating Environment Temperature | 0° to 50°C |
| Relative Humidity | 25% to 95% (non-condensing) |
| Storage Environment Temperature | -20° to 70°C |
| Storage Environment Humidity | 20% to 95% (non-condensing) |
| Weight (lbs) | 1.4 + 0.05/ft of measuring length |
| Connecting Cable (Armored or Vinyl) | Length = 5, 13, 19 ft. Connector: DE-9P |
| Maximum Cable Length | 35 ft. |
| Measuring Lengths | 2 – 120 |
| Reference Mark Interval | Position-Trac™ |
| Protection (IEC 529) | IP53 when installed as per instructions IP64 with Air Purge |




Digital Pin-Outs and Output Signals

| PIN | SIGNAL | WIRE |
|-------|--|--------|
| 1 | No Connect | |
| 2 | Channel A+ | Green |
| 3 | Channel A- | Yellow |
| 4 | Channel B+ | Blue |
| 5 | Channel B- | Red |
| 6 | Ground <i>Power Supply and Signal Return</i> | White |
| 7 | Supply Voltage | Brown |
| 8 | Channel R+ <i>+ Reference Mark</i> | Pink |
| 9 | Channel R- <i>- Reference Mark</i> | Gray |
| Shell | Shield | |



SALES & SERVICE:
A Tech Authority, Inc.
 13745 Stockton Ave.
 Chino CA 91710
 909-614-4522
 sales@atechauthority.com

 **Certifications**
 ISO-9001, UL, CSA, CE

Rev. 10/15 • ACU-RITE® is a registered trademark of HEIDENHAIN CORPORATION

ACU-RITE®

HEIDENHAIN CORPORATION
 333 East State Parkway
 Schaumburg, IL 60173-5337 USA
 ☎ (847) 490-1191
 📠 (847) 490-3931
 ✉ info@heidenhain.com

www.acu-rite.com