

VUE READOUTS



SALES & SERVICE:

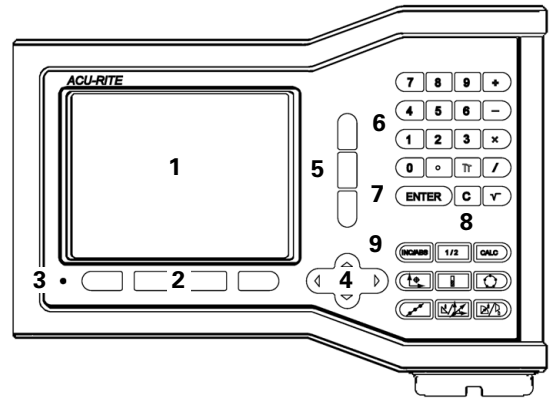
A Tech Authority, Inc.
13745 Stockton Ave.
Chino CA 91710
909-614-4522
sales@atechauthority.com

ACU-RITE®

REFERENCE MANUAL

VUE Key Layout

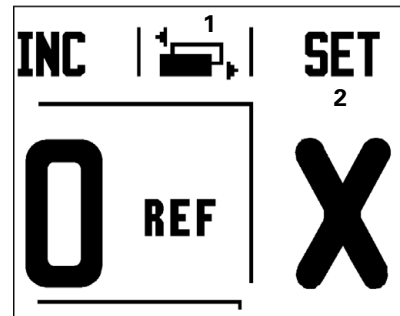
- 1 Display Area
- 2 Soft keys
- 3 Page Indicator light
- 4 UP/DOWN arrow keys are also used to adjust the screen contrast
- 5 Axis Keys
- 6 Numeric Keypad
- 7 ENTER key
- 8 CLEAR key
- 9 Hard function keys






VUE Soft keys

There are two pages of soft key functions to select from the operating modes. Use the LEFT/RIGHT arrow keys to cursor through each page. The page indicator in the Status Bar will show the page orientation. The darkened page indicates the page you are currently on.

- 1 Page Indicator
- 2 Set Zero Indicator



Soft Key function	Soft key
Opens on-screen Help Instructions.	
Toggles between Inch, and Millimeter units (see "Units" on page 5).	
This soft key toggles between radius and diameter displays. This function is for Turning applications only (see "Diameter Axes" on page 6).	
Toggles between Set/Zero functions. Used with individual axis keys (see "Set/Zero Soft Key" on page 7).	
Opens the Job Setup menu and provides access to the Installation Setup soft key (see "Job Setup Parameters" on page 5).	

Soft Key function	Soft key
Press when ready to identify a reference mark (see "ENABLE/DISABLE REF function" on page 4).	
Opens the Tool Table. See "Tool Table" on page 8 for Milling. See "Tool Table" on page 22 for Turning. The tool key is a soft key for the one axis readout only.	
Opens the Datum form to set the datum for each axis. See "Datum Setting" on page 10 for Milling. See "Datum Setting" on page 24 for Turning. The datum key is a soft key for the one axis readout only.	

Readout Parameter Access Code

An access code must be entered before machine-related installation parameters can be set or changed. This prevents inadvertent adjustments to the installation setup parameters.

**IMPORTANT!**

The access code is 8891.

Access to Machine Parameter Operations

Refer to the Setup section also.

**SETUP**

Begin by pressing the SETUP soft key.

Press the soft key INSTALLATION SETUP.

Press the access code numbers **8891** using the numeric key pad.

**ENTER**

Press the ENTER key

The readout is now ready for machine parameter setting operations

**IMPORTANT!**

Supervisors may wish to remove this page from the Reference Manual after initially setting up the readout system. Retain in a safe place for future use.

Introduction

Software Version

The software version is shown on the initial power up screen.



This User's Manual covers the functions of the VUE for both **milling** and **turning** applications. Operational information is arranged in three sections: General Operations, Mill Specific Operations and Turn Specific Operations.

VUE

DRO axis availability.



The VUE DRO is available in **one**, **two**, and **three** axis form. The 3 axis VUE DRO is used through out this manual for illustration and description of function keys.

Symbols within Notes

Every note is marked with a symbol on the left indicating to the operator the type and/or potential severity of the note.



General Information

e.g. on the behavior of the VUE.



Warning

e.g. when a special tool is required for a function.



Caution - Risk of electric shock

e.g. when opening a housing.

VUE Fonts

The following shows how the soft, and hard keys are represented within the text of this manual:

- Soft keys - SETUP soft key
- Hard keys - ENTER hard key

Hassle-Free Warranty

ACU-RITE is proud to offer the 3-Year Hassle-Free Warranty for all digital readout systems, vision readout systems, and precision glass scales. This warranty will cover all of the ACU-RITE repair and replacement costs for any readout or precision glass scale returned during the three (3) year warranty period. ACU-RITE will repair or replace the damaged components - regardless of the product's condition absolutely free, no questions asked. This warranty covers both materials, and factory labor. In addition, authorized ACU-RITE service representatives will provide service labor (field service) for a period of one (1) year at no charge. Notice of the claimed defect must be received by ACU-RITE within the warranty period.

This warranty applies only to products and accessories installed and operated in accordance with this reference manual. ACU-RITE shall have no obligation, with respect to any defect, or other condition caused in whole or part by the customer's incorrect use, improper maintenance modification of the equipment, or by the repair, or maintenance of the product by any person except those deemed qualified by ACU-RITE.

Responsibility for loss of operation, or diminished performance due to conditions beyond ACU-RITE's control cannot be accepted by ACU-RITE.

The foregoing warranty obligations are in lieu of all expressed or implied warranties. ACU-RITE Companies, Inc. shall not be liable under any circumstances for consequential damages.

Table of Contents

VUE Key Layout	
Front Panel Layout.....	iii
VUE Soft keys	
Soft Key Functions.....	iii
Readout Parameter Access Code	
Access to Machine Parameter Operations	v
Introduction	
Software Version	vii
VUE Axis availability.....	vii
Symbols within Notes.....	vii
VUE Fonts.....	vii
Hassle-Free Warranty	
Warranty	ix
I – 1 Introduction to VUE	
Layout of Screen.....	1
VUE Hard Keys	2
Operating Modes.....	3
Reference Mark Evaluation.....	3
Working without reference mark evaluation.....	4
ENABLE/DISABLE REF function.....	4
Job Setup Parameters	5
Units.....	5
Scale Factor	5
Mirror	5
Diameter Axes	6
Near Zero Warning.....	6
Status Bar Settings	6
Job Clock	6
Console Adjustment	7
Language	7
Import/Export.....	7
Set/Zero Soft Key.....	7

I – 2 Milling Specific Operations

Key Functions Detailed	8
Tool Hard Key	8
Tool Table	8
Tool Compensation	8
Sign for the length difference ΔL	9
Calling the Tool from the Tool Table	9
Datum Setting	10
Datum Setting with a Tool	11
Presets	12
Absolute Distance Preset	12
Preparation:	13
Incremental Distance Preset	14
1/2 Hard Key	15
Circle, and Linear Pattern	15
Functions for milling pattern soft keys	15
Circle pattern	16
Linear Pattern	17
Incline & Arc Milling	17
Incline Milling	18
Arc Milling	20

I – 3 Turning Specific Operations

Tool Table	22
Tool Display Icon	22
Setting Tool Offsets with Tool/Set	22
Setting Tool Offsets with Lock Axis Function	23
Calling a Tool from the Tool Table	23
Datum Setting	24
Setting Datums using LOCK AXIS Function	25
Taper Calculator Hard Key	26
Presets	27
Vectoring	28

II – 1 Installation Setup

Installation Setup Parameters	29
Encoder Setup	29
Display Configuration	30
Coupling	30
Z Coupling (turning applications only)	31
Enabling Z Coupling	31
Disabling Z Coupling	31
Error Compensation	32
Linear Error Compensation	32
Non-Linear Error Compensation.....	33
Starting a Non-linear Error Compensation Table	33
Configuring the Compensation Table.....	33
Reading the Graph	33
Viewing the Compensation Table	34
Exporting the Current Compensation Table.....	34
Importing a New Compensation Table	34
Backlash Compensation	34
Counter Settings	35
Diagnostics	35
Keypad Test	35
Display Test	35

II – 2 Installation and Electrical Connections

Installation.....	36
Electrical requirements	36
Environmental.....	36
Preventative maintenance	36

II – 3 Dimensions

Overview	37
Accessory ID Number.....	37

I – 1 Introduction to VUE

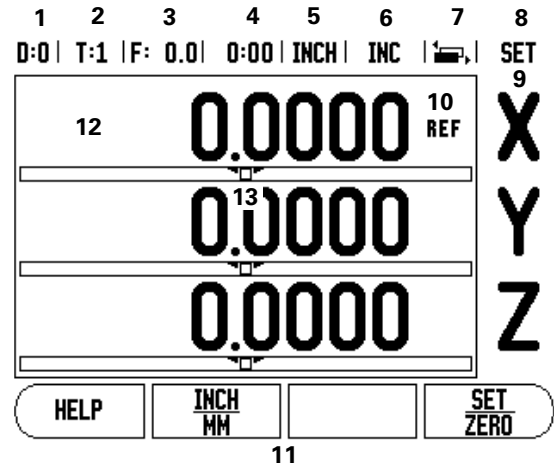
Layout of Screen

Status Bar Symbols:

- 1 Datum
- 2 Tool
- 3 Feed Rate
- 4 Job Clock
- 5 Unit of Measure
- 6 Operating Modes
- 7 Page Indicator
- 8 Set/Zero
- 9 Axis Labels
- 10 Reference Symbol
- 11 Soft key Labels
- 12 Display Area
- 13 Near Zero Warning (In Distance-To-Go mode only)

ACU-RITE's VUE readout provides application-specific features that allows the most productivity from a manual machine tool.


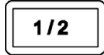
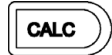
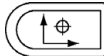
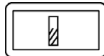
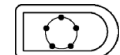


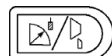
- **Status Bar** - This displays the current datum tool, feed rate, job clock time, unit of measure, operating mode status, page indicator, and set/zero. See Job Setup for details on setting up the Status Bar parameters.
- **Display Area** - Indicates the current position of each axis. Also shows forms fields instruction boxes, error messages, and help topics.
- **Axis Labels** - Indicates axis for corresponding axis key.
- **Ref Symbols** - Indicates current reference mark status.
- **Soft key Labels** - Indicates the various milling, or turning functions.



VUE Hard Keys

Hard keys on the VUE readouts vary depending on the number of axis the readout includes. A one axis readout will only have the first three hard keys shown below. A two, or three axis readout will have all the hard keys shown below.

The last two keys are specific to a VUE readout that is either for milling, or turning. The first symbol applies to a milling readout, and the second symbol applies to a turning readout.

Hard Key function	Hard Key Symbol
Switches display between operating modes: Distance-To-Go (Incremental) / Actual Value (Absolute) (see page 3).	
Used to divide the current position by two (see page 15).	
The CALC hard key opens the Calculator functions for standard math, trigonometry, RPM, and Taper (Turning only) functions (see page 26).	
The DATUM hard key opens the Datum form to set the datum for each axis (for Milling see page 10, for Turning see page 24).	
The TOOL hard key opens the Tool Table (for Milling see page 8, for Turning see page 22).	
The CIRCLE PATTERN hard key (Mill only) opens the Circle Pattern form. This calculates the hole positions (see page 15).	
The LINEAR PATTERN hard key (Mill only) opens the Linear Pattern form. This calculates the hole positions (see page 15).	
The INCLINE MILLING hard key (Mill) / VECTORING hard key (Turn) opens the Incline milling forms (see page 18), or the Vectoring form (see page 28).	
The ARC MILLING hard key (Mill) / TAPER CALC hard key (Turn) opens the Arc milling forms (see page 17), or the Taper Calc form (see page 26).	

Operating Modes

The VUE has two operating modes: **Distance-To-Go (incremental)**, and **Actual Value** (absolute). The Distance-To-Go feature enables an approach to nominal positions by traversing to display value zero. When working within the incremental mode, enter nominal coordinates as either incremental, or absolute dimensions. The Actual Value feature always displays the current actual position of the tool, relative to the active datum. In this mode, all moves are made by traveling until the display matches the nominal position that is required.

While in the absolute (Actual Value) mode, if the VUE is configured for Milling applications, only the tool length offsets are active. Both the diameter, and length offsets are used in the incremental (Distance-To-Go) mode to calculate the amount of "distance-to-go" required to get to the desired nominal position relative to the edge of the tool that will be doing the cutting.

If the VUE is configured for turning, all tool offsets are used in both the absolute, and incremental modes.

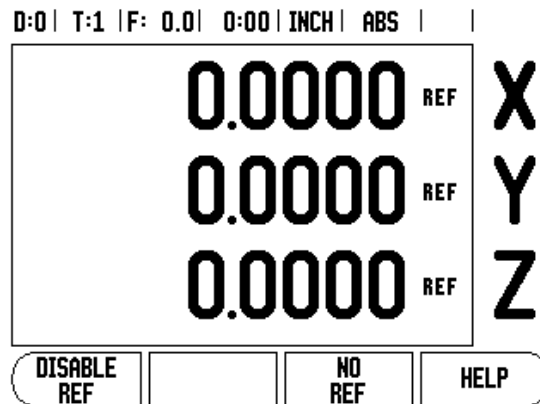
- ▶ Press the ABS/INC hard key to toggle between these two modes. To view other soft key functions in either absolute, or incremental mode, use the LEFT/RIGHT arrow keys.

The turning application provides a quick method for coupling the Z axes position on a 3 axis system. For more information, see "Coupling" on page 30.

Reference Mark Evaluation

The VUE reference mark evaluation feature automatically re-establishes the relationship between axis slide positions, and display values that were last defined by setting the datum.

For each axis with an encoder that has reference marks, the REF indicator will flash for that axis. After crossing over the reference marks, the indicator will stop flashing, and change to a non-flashing "REF".



Working without reference mark evaluation

The VUE can also be used without crossing over the reference marks.

- ▶ Press the NO REF soft key to exit the reference mark evaluation routine, and continue.

The reference marks can still be crossed over at a later time if it becomes necessary to define a datum that can be re-established after a power interruption.

- ▶ Press the ENABLE REF soft key to activate the position recovery routine.



If an encoder is setup without reference marks, then the REF indicator will not be displayed, and a datum set from any axis will be lost once power is turned off.

ENABLE/DISABLE REF function

The ENABLE/DISABLE soft key, that is present during the position recovery routine, allows the operator to select a specific reference mark on an encoder. This is important when using encoders with Fixed Reference Marks (instead of ones with Position-Trac™ feature). When the DISABLE REF soft key is pressed, the recovery routine is paused, and any reference marks that are crossed during encoder movement are ignored. When the ENABLE REF soft key is then pressed, the recovery routine once again becomes active, and the next crossed reference mark will be selected.

Only cross over the reference marks of all the encoders that are needed.

- ▶ Once reference marks for all desired axes are established, press NO REF soft key to cancel out of routine. If all reference marks have been found, the VUE will return to the DRO display screen automatically.

Job Setup Parameters

- ▶ To view, and change Job Setup parameters, first press the SETUP soft key.
- ▶ Use the UP/DOWN arrow keys to highlight the parameters of interest.
- ▶ press the Enter key.

Units

The Units form is used to specify the preferred display units, and format. The unit of measure can also be selected by pressing the INCH/MM soft key in either Actual Value, or Distance-To-Go mode.

Scale Factor

The scale factor may be used to scale the part up, or down. A scale factor of 1.0 creates a part with the exact size as dimensioned on the print. A scale factor >1 "grows" the part, and <1 "shrinks" the part.

- ▶ The numeric keys are used to enter a number greater than zero. The number range is 0.1000 to 10.000. A negative value may also be entered.
- ▶ The scale factor settings will be retained on a power cycle.
- ▶ When the scale factor is a value other than 1, the scaling symbol ∇ is shown on the axis display.
- ▶ The ON/OFF soft key is used to disable the current scale factors.

Mirror



A scale factor of -1.00 will produce a mirror image of the part. A part can be both mirror, and scaled at the same time.

D:0 | T:1 | F: 0.0 | 0:00 | INCH | ABS | |

JOB SETUP			
UNITS	Set the working units of measure for linear and angular dimensions.		
SCALE FACTOR			
DIAMETER AXES			
NEAR ZERO WARNING			
STATUS BAR SETTINGS			
JOB CLOCK			
CONSOLE ADJUSTMENT			
LANGUAGE			
INSTALL. SETUP	IMPORT EXPORT		HELP

Console Adjustment

The LCD's contrast can be adjusted either by using the soft keys in this form, or by using the UP/DOWN arrow keys on the keypad in either operating mode. The contrast may need to be adjusted due to variations in ambient lighting, and operator preference. This form is also used to set the display saver's idle time-out. The display saver setting is the amount of time the system is idle before the LCD switches to screen saver mode. The idle time may be set from 30 to 120 minutes. The display saver can be disabled during the current power cycle.

Language

The VUE supports multiple languages. To change the language selection:

- ▶ Press the LANGUAGE soft key until the desired language selection appears on the soft key, and the form.
- ▶ Press ENTER to confirm the selection.

Import/Export

Job, and Installation Setup parameters can be imported, or exported over the "Regular Type B" USB port.

- ▶ Press the IMPORT/EXPORT soft key in the Setup screen.
- ▶ Press IMPORT to download operating parameters from a PC.
- ▶ Press EXPORT to upload the current operating parameters to a PC.
- ▶ To exit, press the C key.

Set/Zero Soft Key

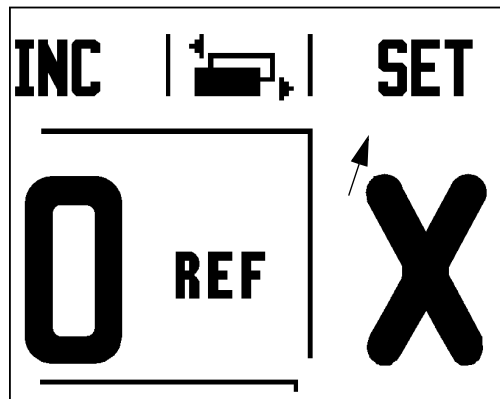
The SET/ZERO soft key is a key that determines the effect of pressing an Axis key. This key is a toggle key, switching the functionality between Set, and Zero. The current state is indicated in the Status Bar.

When the state is Set, and the VUE is in Actual Value mode, selecting an Axis key opens the Datum form for the selected axis. If the VUE is in Distance-To-Go mode, a Preset form opens.

When the state is Zero, and the VUE is in Actual Value mode, selecting an Axis key sets the current datum for that axis to zero at the current position. If it is in Distance-To-Go mode, the current Distance-To-Go value is set to zero.



If the VUE is in Actual Value mode, and the state of Set/Zero is zero, pressing any Axis key resets the current datum to zero at the current location for that axis.



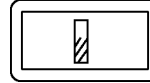
I – 2 Milling Specific Operations

This section discusses operations, and soft key functions specific to milling applications only.

Key Functions Detailed

Tool Hard Key

This hard key opens the tool table, and provides access to the Tool form for entering a tool's parameters (a soft key is used on a one axis readout). The VUE can store up to 16 tools within the tool table.



Tool Table

The VUE tool table provides a convenient way to store diameter, and length offset information for each of the tools commonly use. Up to 16 tools can be entered.

The following soft keys are also available while in the Tool Table form, or in the individual tool data form:

Function	Soft key
This key allows the operator to select which axis all the tool length offsets will affect. The tool's diameter values will subsequently be used to offset the remaining two axes.	TOOL AXIS [Z]
Press to automatically enter the tool offset length. Only available in Tool Length field.	TEACH LENGTH
This will open the Tool Types form for selection. Only available in TYPE field.	TOOL TYPES

D:0 | T:1 | F: 0.0 | 0:00 | INCH | ABS | |

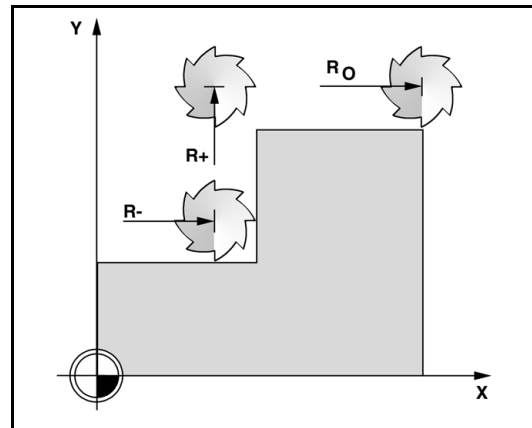
TOOL TABLE (DIA/LENGTH)			
1	2.000/	20.000 MM	PILOT DRL
2	5.000/	14.000 MM	ROUGH ML
3	25.000/	50.000 MM	FL END ML
4	6.000/	12.000 MM	BROACH
5	10.000/	25.000 MM	ROUGH ML
6	2.000/	0.000 MM	FL END ML
7	2.500/	0.000 MM	FL END ML
8	3.000/	5.000 MM	

TOOL AXIS [Z]	CLEAR TOOL	USE TOOL	HELP
----------------------	-------------------	-----------------	-------------

Tool Compensation

VUE has tool compensation. This allows workpiece dimensions to be entered directly from the drawing. The displayed distance to go is then automatically lengthened (R+), or shortened (R-) by the value of the tool radius. for more information see "Presets" on page 12.

The length offset may be entered as a known value, or the VUE may determine the offset automatically. The tool length is the difference in length ΔL between the tool, and the reference tool. The length difference is indicated with the "Δ" symbol. The reference tool is indicated by T1.



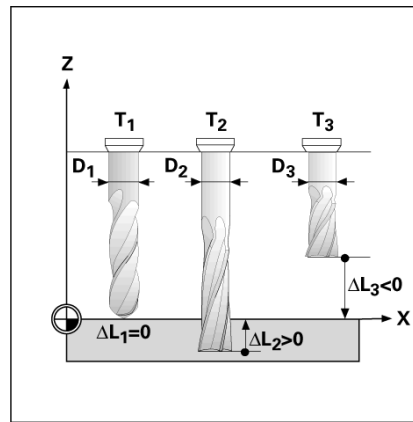
Sign for the length difference ΔL

If the tool is **longer** than the reference tool: $\Delta L > 0 (+)$.

If the tool is **shorter** than the reference tool: $\Delta L < 0 (-)$.

As indicated above it is also possible to have the VUE determine a tool's length offset. This method involves touching the tip of each tool to a common reference surface. This allows the VUE to determine the difference between the length of each tool.

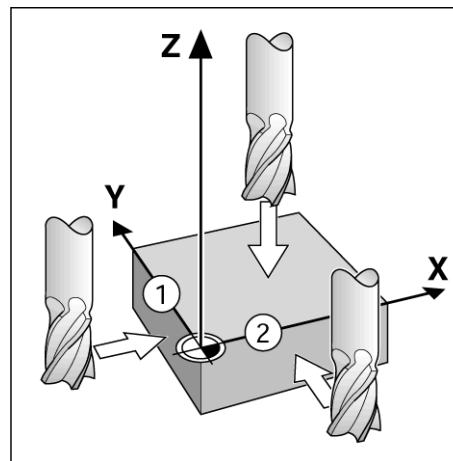
Move the tool until its tip is touching the reference surface. Press the TEACH LENGTH soft key. The VUE will calculate an offset relative to this surface. Repeat the procedure for each additional tool using the same reference surface.



Only the tools set using the same reference surface may be changed without having to reset the datum.

Calling the Tool from the Tool Table

- ▶ To call a tool, press the TOOL hard key.
- ▶ Use the UP/DOWN arrow keys to Cursor through the selection of tools (1-16). Highlight the tool wanted.
- ▶ Verify the proper tool has been called, and press the tool, or C key to exit.

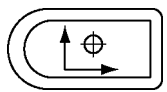


Datum Setting

Datum settings define the relationships between the axis positions, and the display values.

Setting datum points can be done by using the VUE probing functions with a tool.

Datum points are set by touching the edges of the workpiece, one after the other with a tool, and manually entering the tool positions as datum points.



D:1 | T:1 | F: 0.0 | 0:00 | INCH | ABS | | SET

SET DATUM		X	0.0000	X
DATUM NUMBER		Y	0.0000	
1		Z	0.0000	
DATUM		Enter the new actual position of the tool or press PROBE.		
X	-1.5000			
Y	-1.5000			
Z	0			
PROBE				HELP

Datum Setting with a Tool

Using a tool to set datum points can still use the VUE probing functions.

The following probing soft key functions are available:

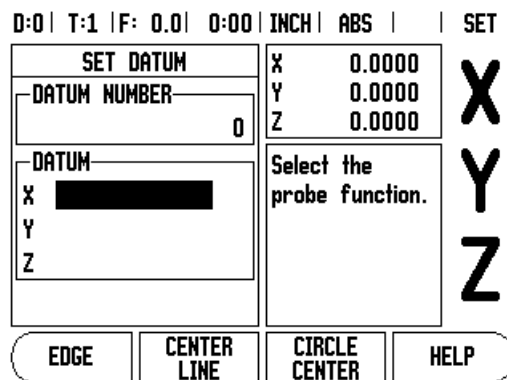
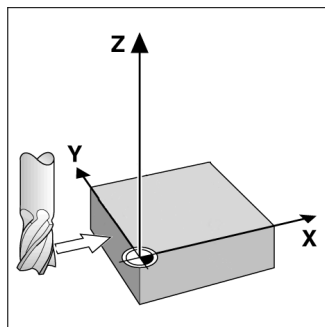
- Workpiece edge as datum: EDGE soft key
- Centerline between two workpiece edges: CENTER LINE soft key.
- Center of a hole, or cylinder: CIRCLE CENTER soft key.

In all probing functions, VUE takes into account the current tool's entered tip diameter.

To abort the probing function while it is active, press the C key.

Example: Probe workpiece edge, and set edge as datum

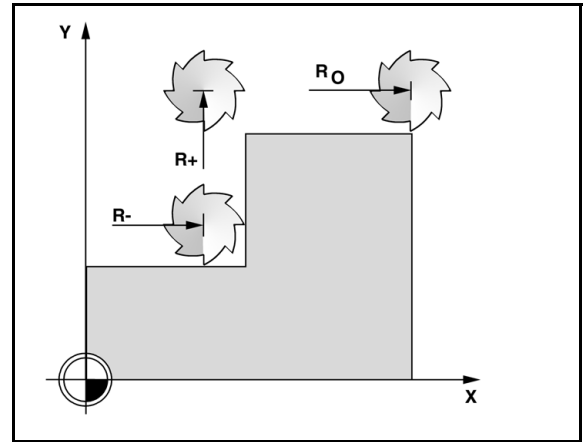
- ▶ Preparation: Set the active tool to the tool that will be used to set the datum.
 - Datum axis: X =0
 - Tool diameter D = 0.25"
- ▶ Press DATUM hard key.
- ▶ Press the DOWN arrow key until the X axis field is highlighted.
- ▶ Press PROBE soft key.
- ▶ Press EDGE soft key.
- ▶ Touch workpiece edge.
- ▶ Press the TEACH soft key to store the current absolute value while the tool is in contact with the workpiece edge. The location for the touched edge will take into account the diameter of the tool in use (T:1, 2...), and the last direction the tool was moved prior to pressing the TEACH soft key.
- ▶ Retract the tool from the workpiece, enter 0", and then press ENTER.



Presets

The Preset function allows the operator to indicate the nominal (target) position for the next move. Once the new nominal position information is entered the display will switch to Distance-To-Go mode, and show the distance between the current position, and the nominal position. The operator now only needs to move the table until the display is zero, and he will be at the required nominal position. The information for the location of the nominal position can be entered as an absolute move from the current datum zero, or as an incremental move from the current nominal position.

Presetting also allows the operator to indicate which side of the tool will be doing the machining at the nominal position. The R+/- soft key in the Preset form defines the offset that will be in effect during the move. R+ indicates that the center line of the current tool is in a more positive direction than the edge of the tool. R- indicates that the center line is in a more negative direction than the edge of the current tool. Using R+/- offsets automatically adjusts the distance-to-go value to account for the diameter of the tool.



Absolute Distance Preset

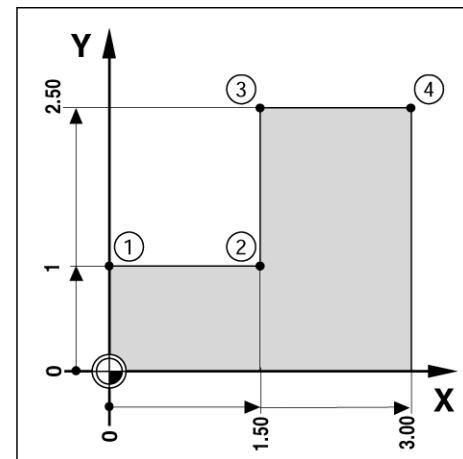
Example: Milling a shoulder by traversing to display value zero using absolute position

The coordinates are entered as absolute dimensions; the datum is the workpiece zero.

- Corner 1: X = 0 / Y = 1
- Corner 2: X = 1.50 / Y = 1
- Corner 3: X = 1.50 / Y = 2.50
- Corner 4: X = 3.00 / Y = 2.50

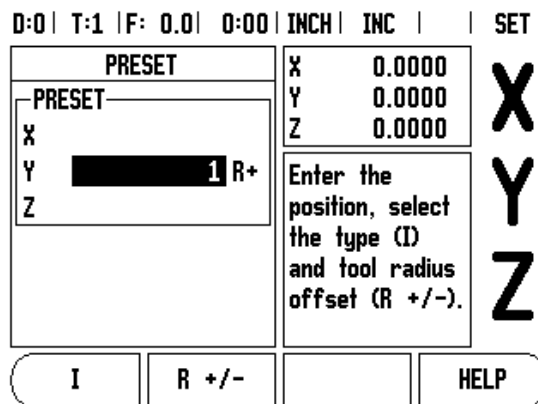


Pressing an axis key recalls the last entered preset value for that axis.



Preparation:

- ▶ Select the tool with the appropriate tool data.
- ▶ Pre-position the tool to an appropriate location (such as X = Y = -1").
- ▶ Move the tool to milling depth.
- ▶ Press the SET/ZERO soft key so that the DRO is still in Set mode.
- ▶ Press the Y axis key.
- ▶ Enter nominal position value for corner point **1**: Y = 1", and select tool radius compensation R + with R+/- soft key. Press until R+ is shown next to axis form.
- ▶ Press ENTER.
- ▶ Traverse the Y axis until the display value is zero. The square in the near zero warning is now centered between the two triangular marks.
- ▶ Press the SET/ZERO soft key so that the DRO is still in Set mode.
- ▶ Press the X axis key.
- ▶ Enter nominal position value for corner point **2**: X = +1.5", select tool radius compensation R – with R+/- soft key. Press twice until R- is shown next to axis form.
- ▶ Press ENTER.
- ▶ Traverse the X axis until the display value is zero. The square in the near zero warning is now centered between the two triangular marks.
- ▶ Presets can be entered in the same manner for corners 3, and 4.



Incremental Distance Preset

Example: Drilling by traversing to display value zero with incremental positioning.

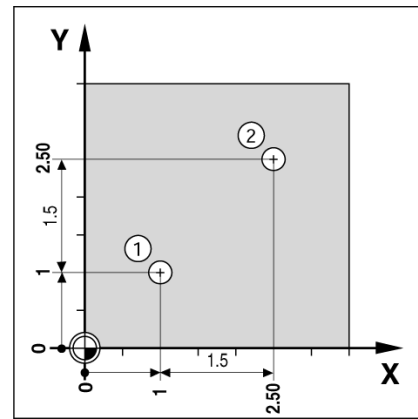


Enter the coordinates in incremental dimensions. These are indicated in the following (and, on the screen) with a preceding **I** (Incremental). The datum is the workpiece zero.

- Hole **1** at: $X = 1'' / Y = 1''$
- Distance from hole **1** to hole **2**: $XI = 1.5'' / YI = 1.5''$
- Hole depth: $Z = -0.5''$
- Operating mode: DISTANCE-TO-GO (INC)
- ▶ Press the X axis key.
- ▶ Enter nominal position value for hole **1**: $X = 1''$, and ensure no tool radius is active. Note that these presets are Absolute Presets.
- ▶ Press the Y axis key.
- ▶ Enter nominal position value for hole **1**: $Y = 1''$.
- ▶ Ensure no tool radius compensation is showing.
- ▶ Press the Z axis key.
- ▶ Enter the nominal position value for the hole depth: $Z = -0.5''$. Press ENTER hard key.
- ▶ Drill hole 1: Traverse the X, Y, and Z axis until the display value is zero. The square in the near zero warning is now centered between the two triangular marks. Retract the drill.

To preset the location for Hole 2:

- ▶ Press the X axis key.
- ▶ Enter nominal position value for hole **2**: $X = 1.5''$, mark the input as an incremental dimension, press the I soft key.
- ▶ Press the Y axis key.
- ▶ Enter nominal position value for hole **2**: $Y = 1.5''$, mark the input as an incremental dimension, press the I soft key.
- ▶ Press ENTER.
- ▶ Traverse the X, and Y axes until the display value is zero. The square in the near zero warning is now centered between the two triangular marks.

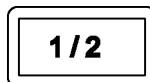


D:0	T:1	F: 0.0	0:00	INCH	INC	SET
PRESET				X	0.0000	X Y Z
PRESET				Y	0.0000	
PRESET				Z	0.0000	
XI	1.5000		Enter the position, select the type (I) and tool radius offset (R +/-).			
YI	1.5					
Z						
I		R +/-		HELP		

- ▶ To preset the Z axis:
- ▶ Press the Z axis key.
- ▶ Press the ENTER key (use last entered preset).
- ▶ Drill hole 2: Traverse Z axis until the display value is zero. The square in the near zero warning is now centered between the two triangular marks.
- ▶ Retract the drill.

1/2 Hard Key

The 1/2 hard key is used to find the centerline (or midpoint) between two locations along a selected axis of a workpiece. This can be performed in either Actual Value, or Distance-To-Go mode.

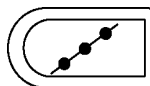
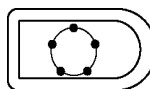


This feature will change datum locations when in Actual Value mode.

Circle, and Linear Pattern




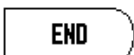
This section describes the hole pattern functions for Circle, and Linear patterns.

Press the CIRCLE PATTERN, or LINEAR PATTERN hard key to access the Pattern function then enter the required data. VUE then calculates the positions of all the holes, and displays the pattern graphically on the screen.



The View Graphic enables verification of the hole pattern before any machining starts. It is also useful when: selecting holes directly, executing holes separately, and skipping holes.

Functions for milling pattern soft keys

Function	Soft key
Press the VIEW soft key to see the layout of the current pattern.	
Press to go to previous hole.	
Press to manually advance to the next hole.	
Press to end drilling.	

Circle pattern

Example: Enter data, and execute a circle pattern.

- Holes (no. of): 4
- Coordinates of center: X = 2.0" / Y = 1.5"
- Bolt circle radius: 5
- Start angle: Angle between X axis, and first hole: 25°
- Hole depth: Z = -0.25"

1st step: Enter data

- ▶ Press CIRCLE PATTERN hard key.
- ▶ Enter the type of circle pattern (full). Cursor to the next field.
- ▶ Enter the number of holes (4).
- ▶ Enter the X, and Y coordinates of the circle center (X=2.0), (Y=1.5). Cursor to the next field.
- ▶ Enter the radius of the circle pattern (5).
- ▶ Enter the start angle (25°).
- ▶ Enter the end angle (295°) (this can only be changed if entering a "segment"). The End Angle is defined as the angle from the positive X-axis to the end of the pattern.
- ▶ Enter the depth when needed. The depth of the hole is optional, and may be left blank. If not required, press ENTER.
- ▶ Three views are available: Incremental DRO, Pattern Graphic, and Absolute DRO. Press the VIEW soft key to toggle through the available screens.

2nd step: Drill

- ▶ Move to hole:
- ▶ Traverse the X, and Y axes until display value zero.
- ▶ Drill:
- ▶ Traverse to display value zero in the tool axis. After drilling, retract the drill in tool axis.
- ▶ Press the NEXT HOLE soft key.
- ▶ Continue to drill the remaining holes in the same way.
- ▶ When the pattern is complete, press the END soft key.

D:0 | T:1 | F: 0.0 | 0:00 | INCH | INC |

CIRCLE PATTERN	
TYPE	FULL
HOLES	4
CENTER	
X	2.0000
Y	1.5

Enter the coordinates of the circle center.

D:0 | T:1 | F: 0.0 | 0:00 | INCH | INC |

CIRCLE PATTERN	
RADIUS	5.0000
START ANGLE	25.0000°
END ANGLE	295.0000°

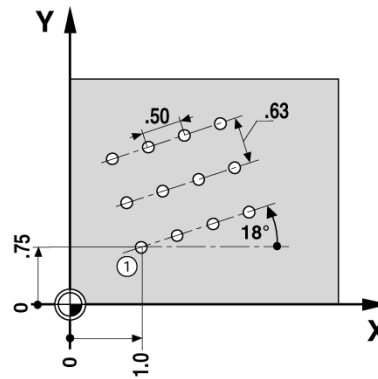
Enter the angle to the last hole.

Linear Pattern

Information required:

- Linear pattern type (array, or frame)
- First hole (1st hole of the pattern)
- Holes per row (number of holes in each row of pattern)
- Hole spacing (the spacing, or offset between each hole in the row)
- Angle (the angle, or rotation of the pattern)
- Depth (the target depth for drilling in the tool axis)
- Number of rows (number of rows in the pattern)
- Row spacing (the spacing between each row of the pattern)

Information entry, and operation of the Linear Pattern feature is very similar to the Hole Pattern feature described earlier.



Incline & Arc Milling

The incline, and arc milling features provide ways to machine a flat diagonal surface (incline milling), or a rounded surface (arc milling) using a manual machine.

The following soft keys are also available while in the Entry Form.

Function	Soft key
Press this to select a plane.	PLANE [XY]
Press to execute the milling operation.	RUN
Press this to use the existing position.	TEACH
Press to return to the previous step.	PREVIOUS STEP
Press to advance to the next step.	NEXT STEP

Incline Milling

Entry Form:

- ▶ The Incline Milling form is used to specify the flat surface to be milled. Press the INCLINE MILLING hard key to open the form
- ▶ Plane - Select the plane by pressing the PLANE soft key. The current selection is shown on the soft key, and in the plane field. The graphic in the message box aids in selecting the correct plane.
- ▶ Start Point: Enter the coordinates of the start point, or press teach to set the coordinate to the current position.
- ▶ End Point: Enter the coordinates of the end point, or press teach to set the coordinate to current position.
- ▶ Step: Enter the step size. When milling, this is the distance between each pass, or each step along the line.

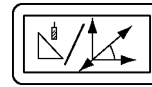


The Step size is optional. If the value is zero, the operator decides at run-time how far to move between each step.

- ▶ Press ENTER, or RUN to execute the surface milling operation.
- ▶ Press C to exit the form without executing. Settings are retained until power is turned off.

Executing the Incline Milling feature

- ▶ Execute the milling operation by opening the entry form, and pressing the RUN soft key, or enter key. The screen switches to the incremental DRO view.
- ▶ Initially, the DRO shows the current incremental moving distance from the start point. Move to the start point, and make a plunge cut, or the first pass across the surface.
- ▶ Press the NEXT PASS soft key to continue with the next step along the contour. After pressing next pass, the incremental display shows the distance from the next step along the line's contour.
- ▶ If no step size was specified, the incremental display always shows the distance from the closest point on the line. To follow the contour, move the two axes in small steps, keeping the (X, Y) positions as close to 0 as possible.



D:0 | T:1 | F: 0.0 | 0:00 | INCH | ABS |

MILL LINE	
PLANE	XY
START POINT	
X	0.0000
Y	0.0000

Press PLANE to select the plane.

PLANE [XY] RUN HELP

D:0 | T:1 | F: 0.0 | 0:00 | INCH | ABS |

MILL LINE	
END POINT	
X	0.0000
Y	0.0000
STEP	0.0000

Enter the incline mill line TO point.

TEACH RUN HELP

- ▶ When executing a surface milling operation, three views are available: incremental DRO, contour, and absolute DRO. Press the VIEW soft key to toggle through the available screens.
- ▶ The contour view shows the position of the tool relative to the milling surface. When the crosshair representing the tool is on the line representing the surface, the tool is in position. The tool crosshair remains fixed in the center of the graph. As the table is moved, the surface line moves.
- ▶ Press the END soft key to exit the milling operation.

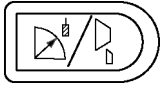


Tool radius compensation is applied based on the radius of the current tool. If the plane selection involves the tool axis, the tool tip is assumed to have a ball end.

The tool offset direction (R+, or R-) is applied based on the tool position. The operator must approach the contour surface from the appropriate direction for tool compensation to be correct.

Arc Milling

Entry Form:



The Arc Milling form is used to specify a curved surface to be milled. Press the ARC milling hard key to open the form.

- ▶ Plane Selection: Select the plane by pressing the PLANE soft key. The current selection is shown on the soft key, and in the plane field. The graphic in the message box aids in selecting the correct plane.
- ▶ Center Point: Enter the coordinates of the arc's center point.
- ▶ Start Point: Enter the coordinates of the start point.
- ▶ End Point: Enter the coordinates of the end point
- ▶ Radius: Enter the radius of the arc.
- ▶ Step: Enter the step size. When milling, this is the distance along the circumference of the arc between each pass, or step along the arc's contour.



The Step size is optional. If the value is zero, the operator decides at run-time how far to move between each step.

- ▶ Press ENTER, or RUN to execute the milling operation.
- ▶ Press C to exit the form without executing. Settings are retained until power is turned off.

Executing the Arc Milling feature

- ▶ Execute the milling operation by opening the entry form, and pressing the RUN soft key, or ENTER key. The screen switches to the incremental DRO view.
- ▶ Initially, the DRO shows the current incremental distance from the start point. Move to the start point, and make a plunge cut, or the first pass across the surface. Press the NEXT PASS soft key to continue with the next step along the contour.
- ▶ After pressing NEXT PASS, the incremental display shows the distance from the next step along the arc's contour.
- ▶ If no step size was specified, the incremental display always shows the distance from the closest point on the arc. To follow the contour, move the two axes in small steps, keeping the (X, Y) positions as close to 0 as possible.

D:0 | T:1 | F: 0.0 | 0:00 | INCH | ABS |

MILL ARC		Press PLANE to select the plane.
PLANE	XY	
CENTER POINT		
X	0.0000	
Y	0.0000	
PLANE [XY]		RUN HELP

D:0 | T:1 | F: 0.0 | 0:00 | INCH | ABS |

MILL ARC		Enter the incline mill arc FROM point.
START POINT		
X	0.0000	
Y	0.0000	
END POINT		
X	0.0000	
Y	0.0000	
TEACH		RUN HELP

D:0 | T:1 | F: 0.0 | 0:00 | INCH | ABS |

MILL ARC		Enter the incline mill arc radius.
RADIUS		
	0.0000	
STEP		
	0.0000	
		RUN HELP

- ▶ When executing a surface milling operation, three views are available: incremental DRO, contour, and absolute DRO. Press the VIEW soft key to toggle through the available screens.
- ▶ The contour view shows the position of the tool relative to the milling surface. When the crosshair representing the tool is on the line representing the surface, the tool is in position. The tool crosshair remains fixed in the center of the graph. As the table is moved, the surface line moves.
- ▶ Press the END soft key to exit the milling operation.



Tool radius compensation is applied based on the radius of the current tool. If the plane selection involves the tool axis, the tool tip is assumed to have a ball end.

The tool offset direction (R+, or R-) is applied based on the tool position. The operator must approach the contour surface from the appropriate direction for tool compensation to be correct.

I – 3 Turning Specific Operations

This section discusses operations specific to turning applications only.

Tool Table

The VUE can store the dimensional offsets for up to 16 tools. When changing a workpiece, and establish a new datum, all tools are automatically referenced from the new datum.

Before a tool can be used, enter its offset (the cutting edge position). Tool offsets can be set using the Tool/Set, or Lock Axis features. See the following examples for instructions on Tool Offsetting.

Tool Display Icon

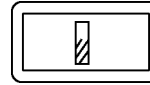
The \varnothing icon is used to indicate that the displayed value is a diameter value. No icon visible indicates that the display is a radius value.


Setting Tool Offsets with Tool/Set

Example 1: Using Tool/Set

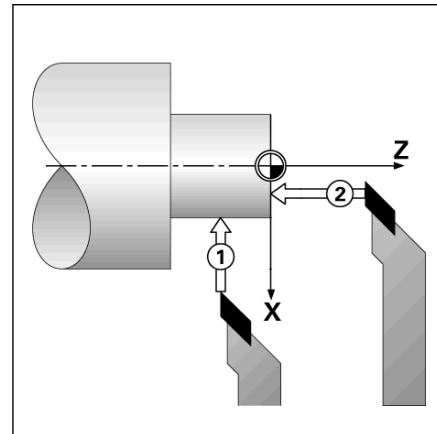
The Tool/Set operation can be used to set a tool's offset using a tool when the diameter of the workpiece is known.

- ▶ Touch the known diameter in the X axis (1).
- ▶ Press the TOOL hard key.
- ▶ Scroll to the desired tool.
- ▶ Press the ENTER key.
- ▶ Select the X axis key.
- ▶ Enter the position of the tool tip, for example, X= .100. Remember to ensure the VUE is in diameter display mode (\varnothing) if a diameter value is used.
- ▶ Touch the workpiece face with the tool.
- ▶ Cursor to the Z axis (2), then set the position display for the tool tip to zero, Z=0.
- ▶ Press ENTER.



D:0 | T:1 | F: 0.0 | 0:00 | INCH | ABS |  |

TOOL TABLE (X/Z)	
1	1.5200 \varnothing
2	
3	
4	
5	2.4500 \varnothing
6	
7	
8	



Setting Tool Offsets with Lock Axis Function

Example 2: LOCK AXIS

The LOCK AXIS function can be used to set a tool's offset when a tool is under load, and the diameter of the workpiece is not known.

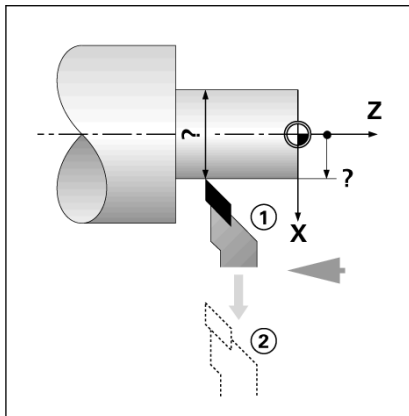
The LOCK AXIS function is useful when determining tool data by touching the workpiece. To avoid losing the position value when the tool is retracted to measure the workpiece, this value can be stored by pressing LOCK AXIS.

To use the LOCK AXIS function:

- ▶ Press the TOOL hard key.
- ▶ Select tool, and press ENTER.
- ▶ Press the X axis key.
- ▶ Turn a diameter in the X axis.
- ▶ Press the LOCK AXIS soft key while the tool is still cutting.
- ▶ Retract from the current position.
- ▶ Turn the spindle off, and measure the workpiece diameter.
- ▶ Enter the measured diameter, or radius, and press ENTER.
Remember to ensure the VUE is in diameter display mode (Ø).

Calling a Tool from the Tool Table

- ▶ To call a tool, press the TOOL hard key.
- ▶ Use the UP/DOWN arrow keys to Cursor through the selection of tools (1-16). Highlight the tool wanted.
- ▶ Verify the proper tool has been called, and press either the use the TOOL soft key, or the C key to exit.



D:0 | T:1 | F: 0.0 | 0:00 | INCH | ABS | [] |

TOOL TABLE (DIA/LENGTH)	
1	2.000/ 20.000 MM PILOT DRL
2	5.000/ 14.000 MM ROUGH ML
3	25.000/ 50.000 MM FL END ML
4	6.000/ 12.000 MM BROACH
5	10.000/ 25.000 MM ROUGH ML
6	2.000/ 0.000 MM FL END ML
7	2.500/ 0.000 MM FL END ML
8	3.000/ 5.000 MM

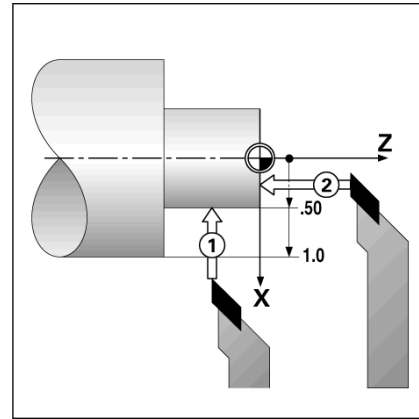
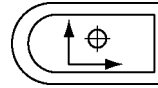
TOOL AXIS [Z] CLEAR TOOL USE TOOL HELP

Datum Setting

See "Datum Setting" on page 10 for basic information. Datum settings define the relationships between the axis positions, and the display values. for most lathe operations there is only one X-axis datum, the center of the chuck, but it may be helpful to define additional datums for the Z-axis. The table can hold up to 10 datum points. The easiest way to set datum points is to touch a workpiece at a known diameter, or location, then enter that dimension as the value that the display should be showing

Example: Setting a workpiece datum

- ▶ Call the tool data by selecting the tool which being used to touch the workpiece.
- ▶ Press the DATUM hard key. The Cursor will be in the Datum Number field.
- ▶ Enter the datum number, and press the DOWN ARROW key to go to the X-axis field.
- ▶ Touch the workpiece at point 1.
- ▶ Enter the radius, or diameter of the workpiece at that point. Remember to ensure the VUE is in diameter display mode (\emptyset) if a diameter value is used.
- ▶ Press the DOWN ARROW key to advance to the Z axis.
- ▶ Touch the workpiece surface at point 2.
- ▶ Enter the position of the tool tip ($Z = 0$) for the Z coordinate of the datum.
- ▶ Press ENTER.

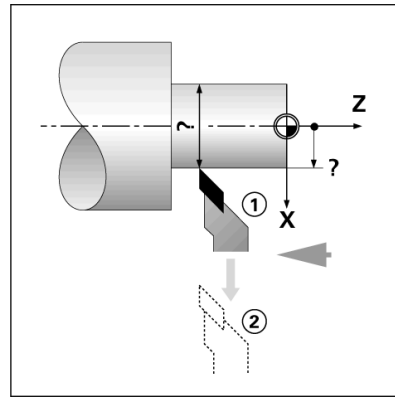


Setting Datums using LOCK AXIS Function

The Lock Axis function is useful for setting a datum when a tool is under load, and the diameter of the workpiece is not known.

To use the Lock Axis function:

- ▶ Press the DATUM hard key. The Cursor will be in the Datum Number field.
- ▶ Enter the datum number, and press the DOWN ARROW key to go to the X axis field.
- ▶ Turn a diameter in the X axis.
- ▶ Press the LOCK AXIS soft key while the tool is still cutting.
- ▶ Retract from the current position.
- ▶ Turn the spindle off, and measure the workpiece diameter.
- ▶ Enter the measured diameter, for example, 1.5", and press ENTER.



D:2 | T:1 | F: 0.0 | 0:00 | INCH | ABS | | SET

SET DATUM		X	-2.1842 ϕ	X
DATUM NUMBER		Z	0.0000	
2		Turn dia. in X then press LOCK AXIS or enter tool position.		
DATUM				
X	ϕ	Z		
Z				
LOCK AXIS		HELP		

Taper Calculator Hard Key

Use the taper calculator to calculate taper angle.

Calculate tapers either by entering dimensions from a print, or by touching a tapered workpiece with a tool, or indicator.

Entry values:

for the taper ratio, calculation requires:

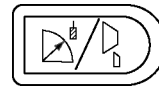
- Length of the taper
- Change in the radius of the taper.

for taper calculation using both diameters (D1, D2), and length requires:

- Starting diameter
- End diameter
- Length of the taper

Using Taper Calculator

- ▶ Press the CALC hard key: The soft key selection now changes to include the taper calculator functions.
- ▶ To calculate the taper angle using two diameters, and length between, press the taper: di/D2/l soft keys.
- ▶ First taper point, diameter 1, either enter a point using the numeric keys, and press enter, or touch the tool to one point, and press note.
- ▶ Repeat this for the diameter 2 field. When using the NOTE key, the taper angle is automatically calculated. When entering data numerically, enter data into the length field, and press ENTER: The taper angle will appear in the angle field.
- ▶ To calculate angles using the ratio of the diameter, change to length, and press the taper: RATIO soft key.
- ▶ Using the numeric keys, enter data into the ENTRY 1, and ENTRY 2 fields.
- ▶ Press ENTER after each selection: The calculated ratio, and the angle will appear in their respective fields.



D:0 | T:1 | F: 0.0 | 0:00 | INCH | INC | |

TAPER CALCULATOR	
DIAMETER	
D1	3.0000
D2	1.5000
LENGTH	
	10.0000
ANGLE	
	4.2892°

Enter first diameter.

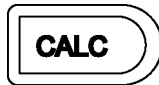
TEACH [] [] HELP

D:0 | T:1 | F: 0.0 | 0:00 | INCH | INC | |

TAPER CALCULATOR	
DIAMETER	
D1	3.0000
D2	1.5000
LENGTH	
	10.0000
ANGLE	
	4.2892°

Enter second diameter.

TEACH [] [] HELP



Presets

The functionality has been explained previously in this manual (See "Presets" on page 12). The explanation, and examples on those pages are based on a mill application. The basics of those explanations are the same for turning applications with two exceptions; Tool Diameter Offsets (R+/-), and Radius vs. Diameter inputs.

Tool diameter offsets have no applications with turning tools, so this functionality is not available while doing turning presets.

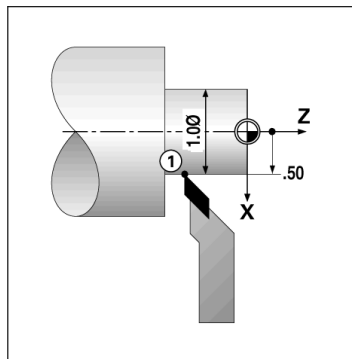
Input values can be either radius, or diameter values. It is important to be sure the units being entered for the preset agree with the state that the display is currently using. A diameter value is shown with a (Ø) symbol. The state of the display can be changed using the RAD/DIA soft key (available in both operating modes).

RADIUS/DIAMETER Soft Key

Drawings for lathe parts usually give diameter values. VUE can display either the radius, or the diameter. When the diameter is being displayed, the diameter symbol (Ø) is shown next to the position value.

Example:

- Radius display, position 1, X = .50
- Diameter display, position 1, X = Ø 1.0
- ▶ Press the RAD/DIA soft key to switch between radius display, and diameter display.



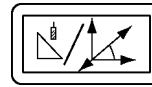
Vectoring

Vectoring breaks down the movement of the compound axis into the crossfeed, or longitudinal axes. When turning threads for example, vectoring provides the diameter of the thread in the X-axis display, even though the cutting tool is moving with the compound axis handwheel. With vectoring enabled, the desired radius, or diameter in the X-axis can be preset, allowing “machine to zero”.



When vectoring is used, the top slide (compound) axis encoder must be assigned to the bottom display axis. The crossfeed component of movement of the axis will then be shown in the top display axis. The longitudinal component of movement of the axis will be shown in the middle display axis.

- ▶ Press the VECTORING hard key.
- ▶ Press the ON soft key to enable the vectoring feature.
- ▶ Arrow down to the Angle field to enter the angle between the longitudinal slide, and top slide with 0° indicating the top slide is moving parallel to the longitudinal slide.
- ▶ Press ENTER.



D:0 | T:1 | F: 0.0 | 0:00 | INCH | ABS | |

VECTORING		Set the angle of the compound axis.
STATUS	ON	
ANGLE	30.0000°	
		HELP

II – 1 Installation Setup

Installation Setup Parameters

Installation Setup is accessed by pressing the SETUP soft key, which brings up INSTALL. SETUP soft key.

Installation Setup parameters are established during the initial installation, and most likely, will not often change. For this reason, the installation setup parameters are protected by the passcode.

See "Readout Parameter Access Code" on page v.

After entering the Access Code, the cursor will default to the Encoder Setup field upon opening Installation Setup.

D:0 T:1 F: 0.0 0:00 INCH ABS	
<p>INSTALLATION SETUP</p> <p>ENCODER SETUP</p> <p>DISPLAY CFG.</p> <p>ERROR COMPENSATION</p> <p>BACKLASH COMP.</p> <p>COUNTER SETTINGS</p> <p>DIAGNOSTICS</p>	<p>Set the counter application (MILL or TURN) and number of axes (1, 2, or 3).</p>
JOB SETUP	IMPORT EXPORT
	HELP

Encoder Setup

The Encoder Setup form is used to set the encoder resolution, and type (linear, rotary), count direction, reference mark type.

- ▶ Press ENTER. This opens a list of possible encoder inputs.
- ▶ Scroll to the encoder to be changed, and press ENTER.
- ▶ Cursor will be in the Encoder Type field. Select the encoder type by pressing the LINEAR/ROTARY soft key.
- ▶ For linear encoders, cursor to the Resolution field and use the COARSER, or FINER soft keys to select the encoder's resolution (in μm 10, 5, 2, 1, 0.5). The exact resolution can also be entered using the numeric key pad. For rotary encoders, enter the number of counts per revolution.
- ▶ In the Reference Mark field, toggling the REF MARK soft key selects whether the encoder has no reference signal with NONE, single reference mark with the SINGLE or with the P-TRAC soft key for encoders with the Position-Trac™ feature.
- ▶ In the Count Direction field, select the count direction by pressing the POSITIVE, or NEGATIVE soft key. If the encoder's count direction matches the user's count direction, select positive. If the directions do not match, select negative.

D:0 T:1 F: 0.0 0:00 INCH ABS	
<p>ENCODER SETUP (1)</p> <p>ENCODER TYPE</p> <p>LINEAR</p> <p>RESOLUTION</p> <p>5.0 μm</p> <p>REFERENCE MARK</p> <p>POSITION TRAC</p>	<p>Select the encoder type (LINEAR or ROTARY).</p>
LINEAR ROTARY	HELP

- ▶ In the Error Monitor field, select whether the system will monitor, and display encoder errors by selecting ON, or OFF. When an error message occurs, press the C key to remove it.



The encoder resolution and count direction can also be established by just moving each axis.

Display Configuration

The Display Configuration form is where the operator determines which axes are displayed, and in what order.

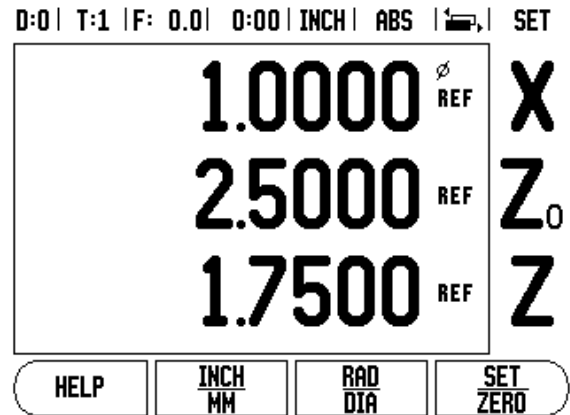
- ▶ Scroll to the desired display and press ENTER.
- ▶ Press the ON/OFF soft keys to turn the display on, or off. Press the RIGHT/LEFT arrow keys to select the axis label.
- ▶ Scroll to the Input field.
- ▶ Scroll to the Display Resolution field. Press the COARSER, or FINER soft keys to select the display resolution.
- ▶ Scroll to the Angle Display field if the encoder type is set to Rotary. Press the ANGLE soft key to display the position as $0^\circ - 360^\circ$, $\pm 180^\circ$, \pm infinity, or RPM.

Coupling

- ▶ Press the numeric keys associated with the encoder input on the back of the unit. Press the + or - soft keys to couple a second input with the first. The input numbers are displayed next to the axis label indicating that the position is a coupled position (i.e. "2 + 3").

Z Coupling (turning applications only)

The VUE Turning application provides a quick method for coupling the Z0, and Z axis position on a 3 axis system. The display can be coupled in either the Z, or Z0 displays.



Enabling Z Coupling

- ▶ To couple the Z0, and Z axis, and have the result displayed on the Z0 display, press and hold the Z0 key approximately 2 seconds. The sum of the Z positions will be displayed on the Z0 display, and the Z display will be blanked.
- ▶ To couple the Z0, and Z axis, and have the result displayed on the Z display, press and hold the Z key for approximately 2 seconds. The sum of the Z positions will be displayed on the Z display, and the Z0 display will be blanked. The coupling is preserved in between power cycles.

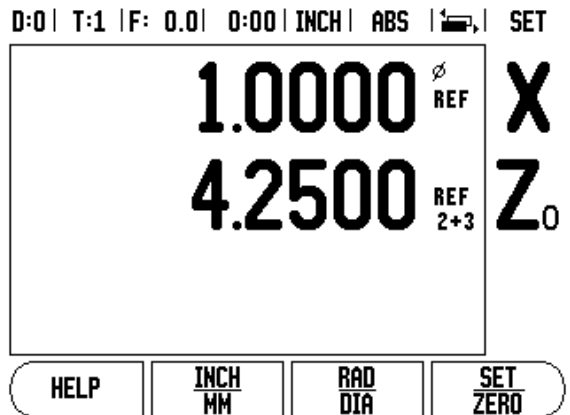


Moving either Z0, or Z inputs will update the coupled Z position.

When a position is coupled, the reference mark for both encoders must be found in order to recall the previous datum.

Disabling Z Coupling

- ▶ To disable Z Coupling, press the axis key of the display that is blank. The individual Z0, and Z display positions will be restored.



Error Compensation

The distance a cutting tool travels, measured by an encoder, can in certain cases, differ from the actual tool travel. This error can occur due to ball screw pitch error or deflection and tilting of axes. This error can either be linear, or non-linear. These errors can be determined with a reference measurement system, ex. gauge blocks, laser, etc. From an analysis of the error, it can be determined which form of compensation is required, linear, or non-linear error.

The VUE provides the opportunity to compensate for these errors, and each axis can be programmed separately with the appropriate compensation.



Error compensation is only available when using linear encoders.

Linear Error Compensation

Linear error compensation can be applied, if the results of the comparison with a reference standard show a linear deviation over the whole measuring length. In this case the error can be compensated by the calculation of a single correction factor.

To calculate the linear error compensation use this formula:

Correction factor **LEC = (S – M) x 10⁶ ppm** with

S measured length with reference standard

M measured length with device at axis

Example:

If the length of the standard used is 500 mm, and the measured length along the X-axis is 499.95, then the LEC for the X-axis is 100 parts per million (ppm).

LEC = (500 – 499.95) x 10⁶ ppm = 100 ppm (rounded to the nearest whole number).

- ▶ Once determined, the encoder’s error information is entered directly. Press the TYPE soft key to select LINEAR compensation.
- ▶ Enter the compensation factor in parts per million (ppm) and press the ENTER key.

D:0 | T:1 | F: 0.0 | 0:00 | INCH | ABS | |

ERROR COMPENSATION		Error compensation for this input is OFF. Press TYPE to select linear or non-linear error compensation.
INPUT 1	0 PPM	
INPUT 2	OFF	
INPUT 3	OFF	
TYPE [OFF]		HELP

Non-Linear Error Compensation

Non-linear error compensation should be applied, if the results of the comparison with a reference standard show an alternating or oscillating deviation. The required correction values are calculated and entered in a table. VUE supports up to 200 points per axis. The error value between two entered adjacent correction points is calculated with linear interpolation.



Non-linear error compensation is only available on scales with reference marks. If non-linear error compensation has been defined, no error compensation will be applied until the reference marks have been crossed.

Starting a Non-linear Error Compensation Table

- ▶ Select Non-linear by pressing the TYPE soft key.
- ▶ To start a new error compensation table, first press the EDIT TABLE soft key.
- ▶ All correction points (up to 200) are equally spaced from the start point. Enter the distance between each of the correction points. Press the DOWN arrow key.
- ▶ Enter the table's start point. The start point is measured from the scale's reference point. If this distance is not known, move to the location of the start point, and press TEACH POSITION. Press ENTER.

Configuring the Compensation Table

- ▶ Press the EDIT TABLE soft key to view the table entries.
- ▶ Use the Up or Down arrow keys or the numeric keys to move the cursor to the correction point to be added or changed. Press ENTER.
- ▶ Enter the known error which exists at this point. Press ENTER.
- ▶ When completed, press C key to exit the table and return to the Error Compensation form.

Reading the Graph

The error compensation table may be viewed in table or graphical formats. The graph shows a plot of a translation error vs. measured value. The graph has a fixed scale. As the cursor is moved through the form, the location of the point on the graph is indicated with a vertical line.

Viewing the Compensation Table

- ▶ Press the EDIT TABLE soft key.
- ▶ To switch between the table and graph views, press the VIEW soft key.
- ▶ Press the Up or Down arrow keys or the numeric keys to move the cursor within the table.

The error compensation table data may be saved to or loaded from a PC via the USB port.

Exporting the Current Compensation Table

- ▶ Press the EDIT TABLE soft key
- ▶ Press the IMPORT/EXPORT soft key.
- ▶ Press the EXPORT TABLE soft key.

Importing a New Compensation Table

- ▶ Press the EDIT TABLE soft key.
- ▶ Press the IMPORT/EXPORT soft key.
- ▶ Press the IMPORT TABLE soft key.

Backlash Compensation

When using a rotary encoder with a lead screw, a change in direction of the table might cause an error in the displayed position due to clearances within the lead screw assembly. This clearance is referred to as backlash. This error can be compensated for by inputting the amount of backlash within the lead screw into the Backlash Compensation feature.

If the rotary encoder is ahead of the table (displayed value is greater than the table's true position), this is called positive backlash and the value entered should be the positive value of the amount of error.

No Backlash Compensation is 0.000.

D:0 | T:1 | F: 0.0 | 0:00 | INCH | ABS | |

BACKLASH COMP.	
INPUT 1	0.2
INPUT 2	OFF
INPUT 3	OFF
<p>Specify the amount of backlash between the encoder and the machine.</p>	
ON OFF	HELP


Counter Settings

The Counter Settings feature is the parameter where the operator defines the user application for the readout. The choices are for milling or turning applications.

A FACTORY DEFAULT soft key appears in the Counter Settings choice of options. When pressed, the configuration parameters (based on either mill or turn) will be reset to factory defaults. The operator will be prompted to press YES to set parameters to factory default settings or NO to cancel and return to previous menu screen.

The Number of Axes field sets the number of axes needed. A 1, 2, or 3 soft key will appear to choose between either 1, 2 or 3 axes.

The Position Recall feature, when it is "ON", will store the last position of each axis when power was turned off and then redisplay that position once power is turned back on.

 Note that any movement that occurs while power is off will be lost. Whenever power has been off it is recommended to re-establish workpiece datums using the Reference Mark Evaluation procedure. See "Reference Mark Evaluation" on page 3.

D:0 | T:1 | F: 0.0 | 0:00 | INCH | ABS | |

COUNTER SETTINGS		Set the application to MILL or TURN. Press FACTORY DEFAULTS to reset all parameters to their factory default settings.
APPLICATION	MILL	
NUMBER OF AXES	3	
POSITION RECALL	OFF	
MILL TURN/CP	FACTORY DEFAULTS	HELP

Diagnostics

The Diagnostic menu provides access for testing the keypad and edge finders.

Keypad Test

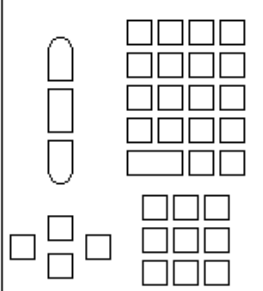

An image of the keypad provides an indication when a switch is pressed and released.

- ▶ Press each hard and soft key to test. A dot will appear on each key when it has been pressed indicating that it is operating properly.
- ▶ Press the C key two times to exit the keypad test.

Display Test

- ▶ To test the display, press the enter key to set the display to solid black, solid white, and back to normal.

D:0 | T:1 | F: 0.0 | 0:00 | INCH | ABS | |

	Use the graphic to verify a key's press and release. To exit, press the clear key (C) twice.
	

II – 2 Installation and Electrical Connections

Installation

The DRO is mounted to a tilt/swivel feature: See "Dimensions" on page 37.

Electrical requirements

Voltage 100 - 240 Vac

Power 25 VA max.

Frequency 50/60 Hz (+/- 3Hz)

Degree of protection (EN 60529) IP 40 back panel

IP 54 front panel

Fuse 500 mA/250 Vac, 5 mm x 20 mm, Slo-Blo (line and neutral fused)

Environmental

Operating temperature 0° to 45°C (32° to 113°F)

Storage temperature -20° to 70°C (-4° to 158°F)

Mechanical weight 2.6 kg (5.2 lb.)

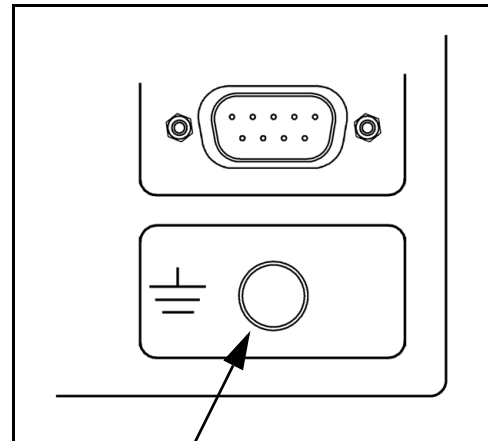
Protective earthing (grounding)



It is necessary to connect the protective conductor terminal on the rear panel to the star point of machine ground.

Preventative maintenance

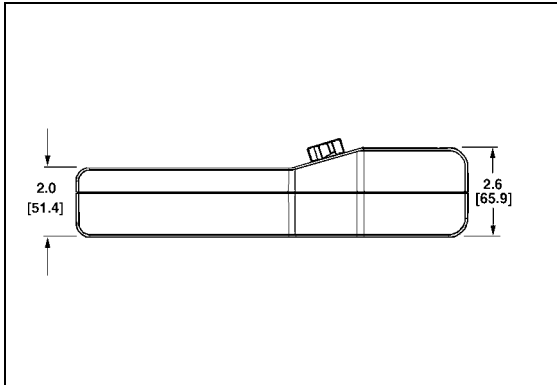
No special preventative maintenance is necessary. For cleaning, wipe lightly with a dry lint-free cloth.



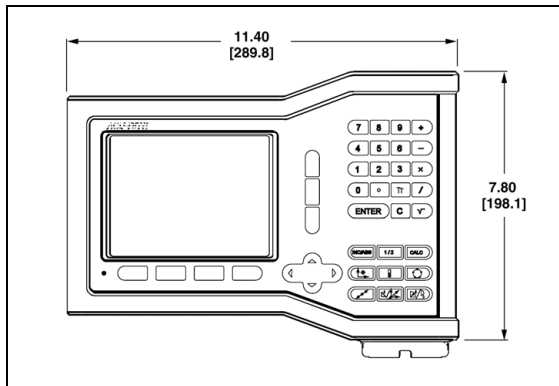
II – 3 Dimensions

Overview

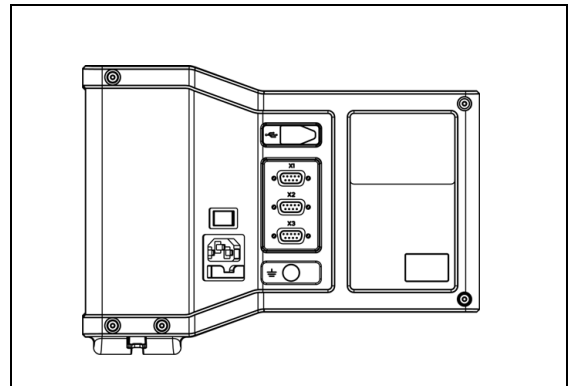
Dimensions in inches/mm



Top view with Dimensions



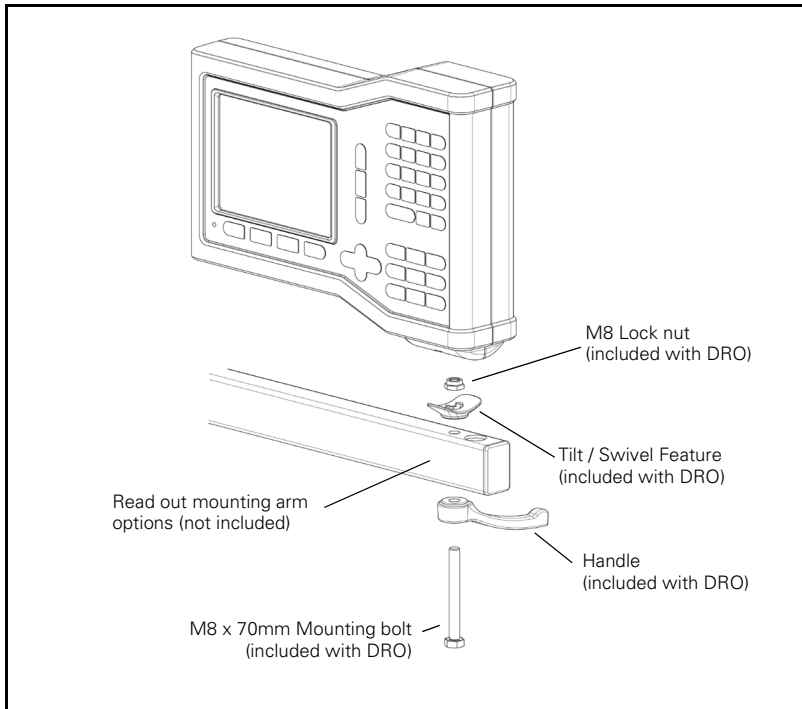
Front view with Dimensions



Back view

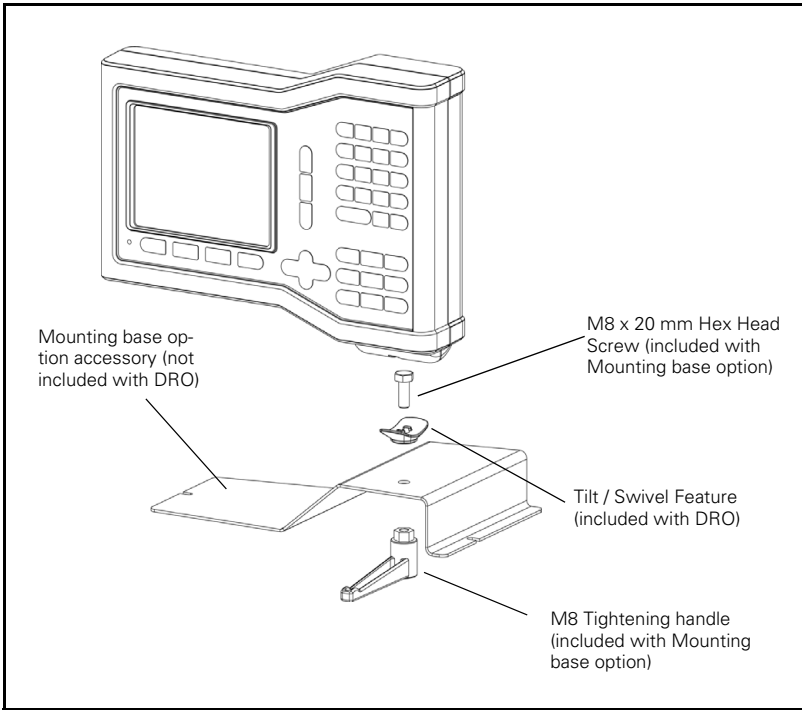
Accessory ID Number

ID Number	Accessory
627052-01	Pkgd, Mounting Base



The DRO mounting base incorporates a slot feature that prevents the lock nut from turning. Pre-attach the mounting bolt and slip it into the base. Secure the DRO by tightening the handle.

DRO mounting with arm (reference information)



DRO mounting with base

Numerics

1/2 Hard Key ... 15
Coupling ... 30

A

Absolute Distance Preset ... 12
Actual Value/Distance-To-Go ... 3
Arc Milling hard key ... 2
Axis Keys ... iii
Axis Labels ... 1

B

Backlash Compensation ... 34

C

Calc hard key ... 2
Center Line soft key ... 11
Circle and Linear Pattern ... 15
Circle Center soft key ... 11
Circle Pattern hard key ... 2
clear key ... iii
Configuring the Compensation
Table ... 33
Console adjustment ... 7
Counter Settings ... 31

D

Datum hard key ... 2
Datum Setting ... 24
Datum soft key (Milling) ... 10
Datum Soft Key (Turning) ... 24
Diagnostics ... 35
Diameter Axes ... 6
Diameter Axes (Milling) ... 6
Dimensions ... 37
Display Area ... 1
Display configuration ... 30
Display Test ... 35
DRO axis availability ... vii

E

Edge soft key ... 11
Electrical Requirements ... 36
Enable Ref soft key ... 4
Enable/Disable Ref function ... 4
Encoder Setup ... 29
Enter key ... iii
Environmental specs. ... 36
Error Compensation ... 32
Exporting the Current Compensation
Table ... 34

G

General Operation's Soft Keys
Detailed ... 7
Grounding ... 36

H

Hard function keys ... iii

I

Import/Export (setting) ... 7
Importing a New Compensation
Table ... 34
Incline & Arc Milling ... 17
Incline milling hard key ... 2
Incremental ... 3
Incremental Distance Preset ... 14
Indicator light ... iii
Installation Setup Parameters ... 29

J

Job Clock ... 6
Job Setup Parameters ... 5

K

Keypad Test ... 35

L

Language (setting) ... 7
Layout of Screen ... 1
Linear Error Compensation ... 32
Linear Pattern ... 17
Linear pattern hard key ... 2

M

Milling Specific Operations and Soft Key
Functions Detailed ... 8
Mirror ... 5

N

Near Zero Warning ... 6
No Ref soft key ... 4
Non-Linear Error Compensation ... 33
Numeric Keypad ... iii

O

On-screen Help ... iii
Operating Modes ... 3

P

Page Indicator ... iii
Patterns (Milling) ... 15
Position Recall ... 35
Preset ... 12
Preset function ... 12
Preset Soft Key (Turning) ... 27
Preventative Maintenance ... 36

R

Radius/Diameter display ... 26
Reading the Graph ... 33
Ref Symbols ... 1
Reference Mark Evaluation ... 3
Reference marks
crossing over ... 3
not crossing over ... 4

S

Scale factor ... 5
Set Zero Indicator ... iii
SET/ZERO soft key ... 7
Sign for the length difference ΔL ... 9
Soft key Labels ... 1
Soft keys ... iii
Software Version ... vii
Status Bar ... 1
Status Bar (setting) ... 6
Symbols within Notes ... vii

Index

T

- Taper Calc hard key ... 2
- Taper Calculator ... 26
- Teach Length soft key ... 9
- Tool ... 22
- Tool compensation ... 8
- Tool Hard Key ... 8
- Tool hard key ... 2
- Tool setting, turning ... 22
- Tool soft key (Turning) ... 22

U

- Units ... 5
- Units of measurement, setting ... 5
- Up/Down arrow keys ... iii

V

- Vectoring ... 28
- Viewing the Compensation Table ... 34
- VUE Hard Keys ... 2

Z

- Z Coupling ... 31

SALES & SERVICE:

A Tech Authority, Inc.
13745 Stockton Ave.
Chino CA 91710
909-614-4522
sales@atechauthority.com

**ISO 9001
CERTIFIED
MANUFACTURER**

